

# EMES

## Standard Machine Elements

CATALOGUE

20  
22







## ABOUT US

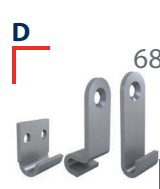
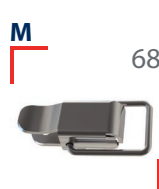
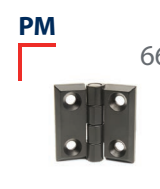
EMES A.S. was established as a multi-partner firm in 1998 by well-known traders who have been doing business in the world markets. In short time, the company became a strong trademark and made an appearance both in domestic and foreign markets. It has attained a high quality in the production and increased the standard product kinds to more than 5.000 to date. This was the company became more competitive not only country-wide but also worldwide. EMES A.S., with its dynamic and self-renewing nature has determined its vision to be the most preferred and reliable trademark globally, and to export mostly to the European countries and subsequently to more than 63 countries of Middle East, Africa, Balkans and Middle Asia.

EMES A.S. works taking into consideration the principle of "absolute customer satisfaction" which is part of the quality policy of the company thanks to its well-trained technical staff a modern facility of 8.000 sqm<sup>2</sup> covered area. The company has arranged special human resource with a highly creative team by maintaining an internationally recognized quality standard. It is the first company in Turkey which has the Certificate of DIN EN ISO 9001:2015. Our mission is to offer more reliable, high quality and aesthetic designed products to our customers, and to follow the developments and innovations in the sector for making them part of our quality policy. We strive to provide our domestic and international customers with the best products and services which reflect the "Made in Turkey" quality, and help them find the most suitable solutions for their needs.

## INDEX

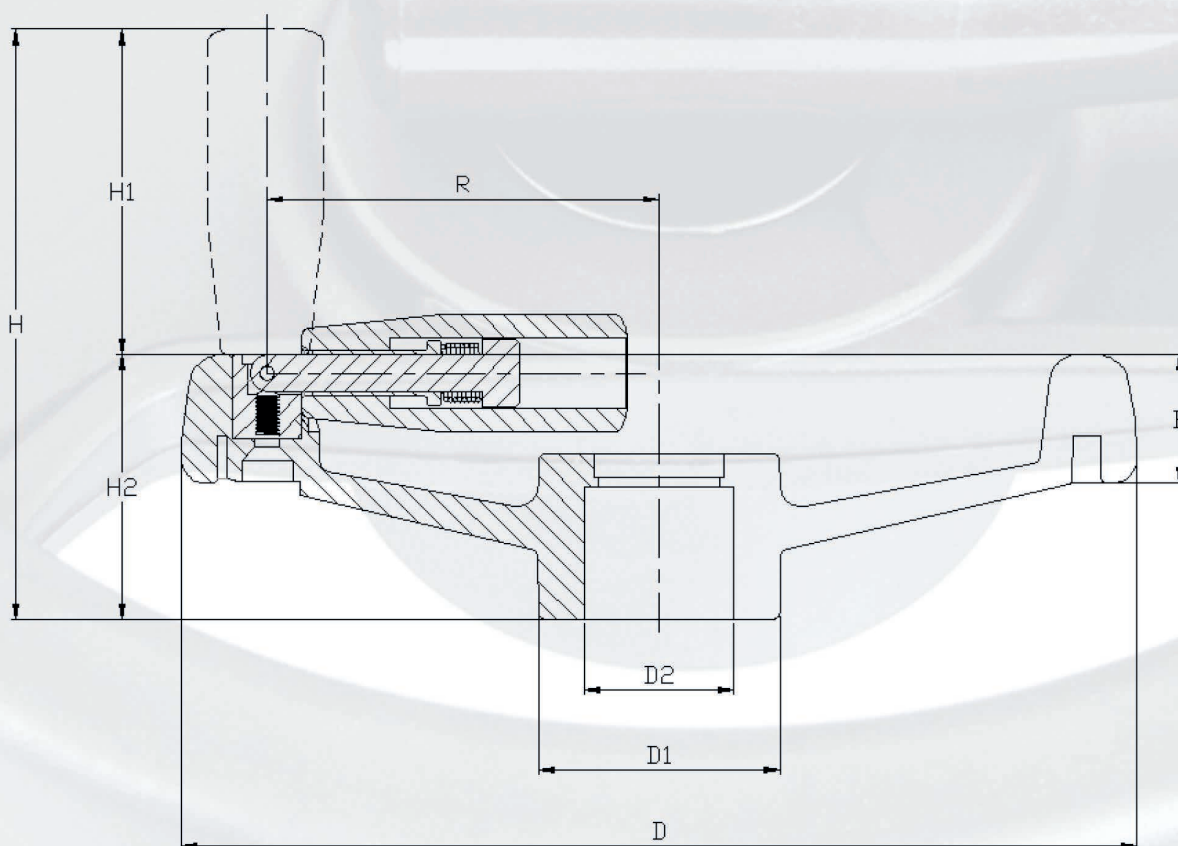
<b>KKA</b>  5	<b>IA</b>  6	<b>KKAB</b>  7	<b>IAB</b>  7	<b>MDAI</b>  7	<b>MDA</b>  8
<b>MDAS</b>  9	<b>MDASc</b>  9	<b>MAS</b>  10	<b>DA</b>  10	<b>SA</b>  11	<b>SAI</b>  11
<b>MAM</b>  12	<b>MAIM</b>  13	<b>KT/KTs</b>  14	<b>PAM</b>  15-16	<b>PAMZB</b>  16	<b>PAIM</b>  17
<b>PAIMZB</b>  17	<b>PAMB</b>  18	<b>PAMBZB</b>  18	<b>PAMD</b>  19-20	<b>PAIMD</b>  21	<b>PMA</b>  22
<b>PRA/PRAB</b>  23-24	<b>PRd/PRk</b>  24	<b>PAS/PAIS</b>  25	<b>PPA</b>  25	<b>HIA</b>  26	<b>HIAZB</b>  26
<b>HPAIMZB</b>  27	<b>HPAIMD</b>  27	<b>AC3/PC/DC</b>  28	<b>AC/ACt/ACp</b>  29	<b>ACKK/ACKKt/PCKK</b>  30	<b>IPP</b>  31
<b>PDK/PDKK</b>  31	<b>CDKK/KKCK</b>  32	<b>DK</b>  32	<b>PT1</b>  33	<b>PTB1/PTB1P</b>  33	<b>PT/PTt/PTk</b>  34
<b>BT/AT</b>  35	<b>MTs/AT</b>  36	<b>ZTk/ZTs</b>  37	<b>PGT/PGT-1</b>  38	<b>PKC/PKB</b>  39	<b>PKCI/PKBI</b>  40

**INDEX**

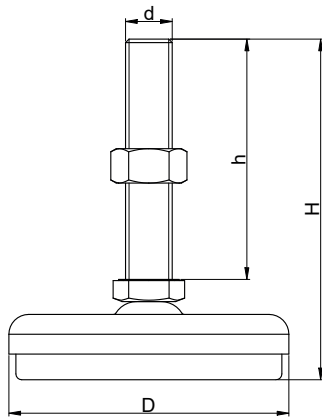
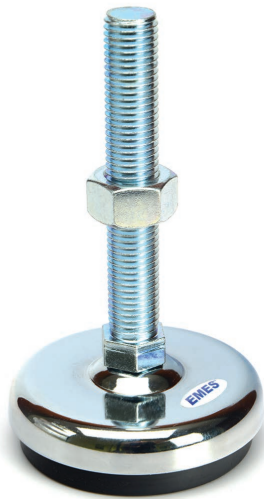


# NEW PRODUCT

PCKK - Plastic Fold-Away Handwheel



**KKA** CHROMIUM PLATED FEET

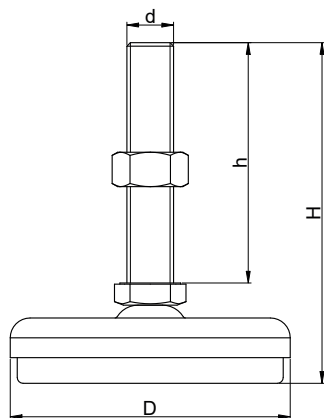


Product Code	D	d	h	H	Sw	Kg	Pckg
KKA 40 08 50	40	M8	50	71	13	200	4
KKA 40 08 90	40	M8	90	111	13	200	4
KKA 40 10 50	40	M10	50	71	13	200	4
KKA 40 10 70	40	M10	70	91	13	200	4
KKA 40 10 10	40	M10	100	121	13	200	4
KKA 40 10 15	40	M10	150	171	13	200	4
KKA 40 12 50	40	M12	50	71	13	200	4
KKA 40 12 70	40	M12	70	91	13	200	4
KKA 40 12 10	40	M12	100	121	13	200	4
KKA 40 12 15	40	M12	150	171	13	200	4
KKA 40 16 10	40	M16	100	121	13	200	4
KKA 60 08 50	60	M8	50	71	13	250	4
KKA 60 08 90	60	M8	90	111	13	250	4
KKA 60 10 50	60	M10	50	83	13	250	4
KKA 60 10 70	60	M10	70	103	13	250	4
KKA 60 10 10	60	M10	100	133	13	250	4
KKA 60 10 15	60	M10	150	183	13	250	4
KKA 60 12 50	60	M12	50	83	17	300	4
KKA 60 12 70	60	M12	70	103	17	300	4
KKA 60 12 10	60	M12	100	133	17	300	4
KKA 60 12 15	60	M12	150	183	17	300	4
KKA 60 16 10	60	M16	100	133	19	400	4
KKA 80 12 70	80	M12	70	116	17	400	4
KKA 80 12 10	80	M12	100	146	17	400	4
KKA 80 12 15	80	M12	150	196	17	400	4
KKA 80 16 10	80	M16	100	146	19	500	4
KKA 80 16 15	80	M16	150	196	19	500	4
KKA 80 20 10	80	M20	100	146	22	600	4
KKA 80 20 15	80	M20	150	196	22	600	4
KKA 10 12 70	100	M12	70	116	17	350	4
KKA 10 12 10	100	M12	100	146	17	350	4
KKA 10 12 15	100	M12	150	196	19	350	4
KKA 10 16 10	100	M16	100	146	19	600	4
KKA 10 16 15	100	M16	150	196	19	600	4
KKA 10 20 10	100	M20	100	146	22	800	4
KKA 10 20 15	100	M20	150	196	22	800	4
KKA 12 12 70	120	M12	70	120	17	600	4
KKA 12 12 10	120	M12	100	150	17	600	4
KKA 12 12 15	120	M12	150	200	17	600	4
KKA 12 16 10	120	M16	100	150	19	800	4
KKA 12 16 15	120	M16	150	200	19	800	4
KKA 12 20 10	120	M20	100	150	22	1000	4
KKA 12 20 15	120	M20	150	200	22	1000	4
KKA 16 16 10	160	M16	100	164	19	1200	1
KKA 16 16 15	160	M16	150	214	22	1200	1
KKA 16 20 10	160	M20	100	164	22	1200	1
KKA 16 20 15	160	M20	150	214	22	1200	1

Rubber	Product Code	D	Pckg
	KKA 040 Rubber	40	100
	KKA 060 Rubber	60	40
	KKA 080 Rubber	80	20
	KKA 100 Rubber	100	15
	KKA 120 Rubber	120	10

KKA RUBBER series can also be used in IA, IAB and KKA products.

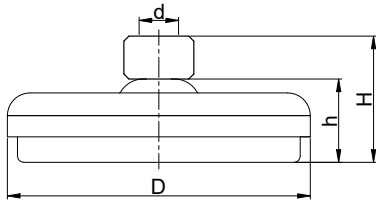
**IA** CHROMIUM PLATED INOX FEET



Product Code	D	d	h	H	Sw	Kg	Pkg
IA 40 10 70	40	M10	70	91	13	200	4
IA 40 10 10	40	M10	100	121	13	200	4
IA 40 10 15	40	M10	150	171	13	200	4
IA 40 12 70	40	M12	70	91	13	200	4
IA 40 12 10	40	M12	100	121	13	200	4
IA 40 12 15	40	M12	150	171	13	200	4
IA 40 16 10	40	M16	100	121	13	200	4
IA 60 10 70	60	M10	70	103	13	250	4
IA 60 10 10	60	M10	100	133	13	250	4
IA 60 10 15	60	M10	150	183	13	250	4
IA 60 12 70	60	M12	70	103	17	300	4
IA 60 12 10	60	M12	100	133	17	300	4
IA 60 12 15	60	M12	150	183	17	300	4
IA 60 16 10	60	M16	100	133	19	400	4
IA 80 12 70	80	M12	70	116	17	400	4
IA 80 12 10	80	M12	100	146	17	400	4
IA 80 12 15	80	M12	150	196	17	400	4
IA 80 16 10	80	M16	100	146	19	500	4
IA 80 16 15	80	M16	150	196	19	500	4
IA 80 20 10	80	M20	100	146	22	600	4
IA 80 20 15	80	M20	150	196	22	600	4
IA 10 12 70	100	M12	70	116	17	350	4
IA 10 12 10	100	M12	100	146	17	350	4
IA 10 12 15	100	M12	150	196	17	350	4
IA 10 16 10	100	M16	100	146	19	600	4
IA 10 16 15	100	M16	150	196	19	600	4
IA 10 20 10	100	M20	100	146	22	800	4
IA 10 20 15	100	M20	150	196	22	800	4
IA 12 12 70	120	M12	70	116	17	600	4
IA 12 12 10	120	M12	100	146	17	600	4
IA 12 12 15	120	M12	150	196	17	600	4
IA 12 16 10	120	M16	100	146	19	800	4
IA 12 16 15	120	M16	150	196	19	800	4
IA 12 20 10	120	M20	100	146	22	1000	4
IA 12 20 15	120	M20	150	196	22	1000	4
IA 16 16 10	160	M16	100	164	19	1200	1
IA 16 16 15	160	M16	150	214	19	1200	1
IA 16 20 10	160	M20	100	164	22	1200	1
IA 16 20 15	160	M20	150	214	22	1200	1

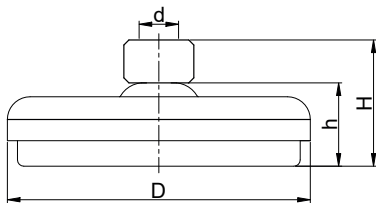


**KKAB** CHROMIUM - PLATED FEET



Product Code	D	d	h	H	Sw	Kg	Pckg
KKAB 60 10	60	M10	26	43	24	400	4
KKAB 60 12	60	M12	26	43	24	400	4
KKAB 60 16	60	M16	26	43	24	400	4
KKAB 80 10	80	M10	29	46	24	600	4
KKAB 80 12	80	M12	29	46	24	600	4
KKAB 80 16	80	M16	29	46	24	600	4
KKAB 10 10	100	M10	29	46	24	800	4
KKAB 10 12	100	M12	29	46	24	800	4
KKAB 10 16	100	M16	29	46	24	800	4
KKAB 12 10	120	M10	34	51	24	1000	4
KKAB 12 12	120	M12	34	51	24	1000	4
KKAB 12 16	120	M16	34	51	24	1000	4

**IAB** INOX FEET BUSHED



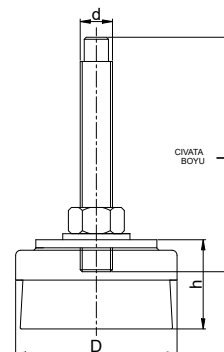
Product Code	D	d	h	H	Sw	Kg	Pckg
IAB 60 10	60	M10	26	43	24	400	4
IAB 60 12	60	M12	26	43	24	400	4
IAB 60 16	60	M16	26	43	24	400	4
IAB 80 10	80	M10	29	46	24	600	4
IAB 80 12	80	M12	29	46	24	600	4
IAB 80 16	80	M16	29	46	24	600	4
IAB 10 10	100	M10	29	46	24	800	4
IAB 10 12	100	M12	29	46	24	800	4
IAB 10 16	100	M16	29	46	24	800	4
IAB 12 10	120	M10	34	51	24	1000	4
IAB 12 12	120	M12	34	51	24	1000	4
IAB 12 16	120	M16	34	51	24	1000	4

**MDAI** MACHINE LEVELLING FEET INOX

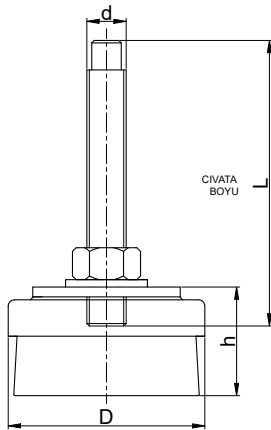


Product Code	D	d	L	H	Kg	Mfs	Pckg
MDAI 12 16 12 D	120	M16x2	120	165	1000	12	1

Special dimensions are available upon request.



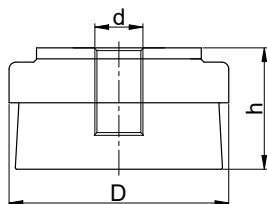
**MDA** MACHINE LEVELLING FEET



Thread Size  
A: 1,25 B: 1,50 C: 1,75 D: 2,00 E: 2,50 F: 3,00 G: 3,50

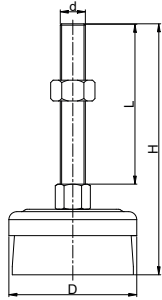
Product Code	D	d	L	Kg	M	Pckg
MDA 80 10 10 B	80	M10x1,5	100	500	12	4
MDA 80 12 12 A	80	M12x1,25	120	500	12	4
MDA 80 16 12 B	80	M16x1,5	120	500	12	4
MDA 80 16 12 D	80	M16x2	120	500	12	4
MDA 12 10 10 B	120	M10x1,5	100	1000	12	1
MDA 12 12 12 A	120	M12x1,25	120	1000	12	1
MDA 12 16 12 B	120	M16x1,5	120	1000	12	1
MDA 12 16 12 D	120	M16x2	120	1000	12	1
MDA 16 16 12 B	160	M16x1,5	120	2000	15	1
MDA 16 16 12 D	160	M16x2	120	2000	15	1
MDA 16 20 17 B	160	M20x1,5	170	2000	15	1
MDA 16 20 17 E	160	M20x2,5	170	2000	15	1
MDA 20 20 17 B	200	M20x1,5	170	5000	25	1
MDA 20 20 17 E	200	M20x2,5	170	5000	25	1
MDA 20 24 17 F	200	M24x3	170	5000	25	1
MDA 20 30 17 F	200	M30x3	170	5000	25	1
MDA 24 20 17 B	240	M20x1,5	170	7000	25	1
MDA 24 20 17 E	240	M20x2,5	170	7000	25	1
MDA 24 24 17 F	240	M24x3	170	8000	25	1
MDA 24 30 17 F	240	M30x3	170	9000	25	1

**MDA** MACHINE LEVELLING FEET WITHOUT SCREW



Product Code	D	d	h	Kg	Pckg
MDA 80 10 B	80	M10x1,5	45	500	4
MDA 80 12 A	80	M12x1,25	45	500	4
MDA 80 16 B	80	M16x1,5	45	500	4
MDA 80 16 D	80	M16x2	45	500	4
MDA 12 10 B	120	M10x1,5	45	1000	4
MDA 12 12 A	120	M12x1,25	45	1000	4
MDA 12 16 B	120	M16x1,5	45	1000	4
MDA 12 16 D	120	M16x2	45	1000	4
MDA 16 16 B	160	M16x1,5	55	2000	1
MDA 16 16 D	160	M16x2	55	2000	1
MDA 16 20 B	160	M20x1,5	55	2000	1
MDA 16 20 E	160	M20x2,5	55	2000	1
MDA 20 20 B	200	M20x1,5	55	5000	1
MDA 20 20 E	200	M20x2,5	55	5000	1
MDA 20 24 F	200	M24x3	55	5000	1
MDA 20 30 F	200	M30x3	55	5000	1
MDA 24 20 B	240	M20x1,5	65	7000	1
MDA 24 20 E	240	M20x2,5	65	7000	1
MDA 24 24 F	240	M24x3	65	7000	1
MDA 24 30 F	240	M30x3	65	7000	1

**MDAS** MACHINE LEVELLING FIXED FEET

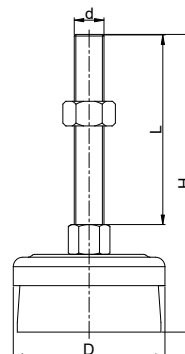


Product Code	D	d	L	H	Kg	Pckg
MDAS 80 16 10	80	M16	100	156	600	4
MDAS 80 16 15	80	M16	150	206	800	4
MDAS 12 16 10	120	M16	100	158	1000	1
MDAS 12 16 15	120	M16	150	208	1200	1
MDAS 12 20 10	120	M20	100	158	1200	1
MDAS 12 20 15	160	M20	150	208	1400	1
MDAS 16 16 10	160	M20	100	164	2000	1
MDAS 16 16 15	160	M16	150	214	2200	1
MDAS 16 20 10	160	M20	100	164	2200	1
MDAS 16 20 15	160	M20	150	214	2400	1
MDAS 16 24 15	200	M24	150	214	2800	1
MDAS 20 20 10	200	M20	100	219	3000	1
MDAS 20 20 15	200	M20	150	219	3200	1
MDAS 20 24 15	200	M24	150	219	3600	1

**MDASc** MACHINE LEVELLING FIXED FEET / Zinc



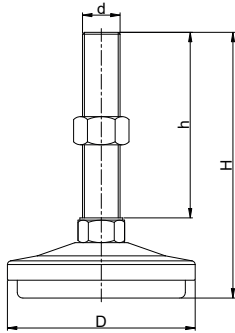
Product Code	D	d	L	H	Kg	Pckg
MDASc 80 16 10	80	M16	100	156	600	4
MDASc 80 16 15	80	M16	150	206	800	4
MDASc 12 16 10	120	M16	100	158	1000	1
MDASc 12 16 15	120	M16	150	208	1200	1
MDASc 12 20 10	120	M20	100	158	1200	1
MDASc 12 20 15	160	M20	150	208	1400	1
MDASc 16 16 10	160	M16	100	164	2000	1
MDASc 16 16 15	160	M16	150	214	2200	1
MDASc 16 20 10	160	M20	100	164	2200	1
MDASc 16 20 15	160	M20	150	214	2400	1
MDASc 16 24 15	200	M24	150	214	2800	1
MDASc 20 20 10	200	M20	100	219	3000	1
MDASc 20 20 15	200	M20	150	219	3200	1
MDASc 20 24 15	200	M24	150	219	3600	1



Rubber	Product Code	D	Pckg
MDA 080 Rubber	80	10	
MDA 120 Rubber	120	8	
MDA 160 Rubber	160	2	
MDA 200 Rubber	200	2	
MDA 240 Rubber	240	1	

MDA rubber series can also be used in MDAS, MDAI and MDASc products.

**MAS** METAL FIXED FEET



Product Code	D	d	h	H	Sw	Kg	Pckg
MAS 60 16 10	60	M16	100	132	22	900	4
MAS 60 16 15	60	M16	150	182	22	900	4
MAS 80 16 10	80	M16	100	132	19	900	4
MAS 80 16 15	80	M16	150	182	19	900	4
MAS 80 20 10	80	M20	100	132	22	1200	4
MAS 80 20 15	80	M20	150	182	22	1200	4
MAS 10 16 10	100	M16	100	132	19	1200	4
MAS 10 16 15	100	M16	150	182	19	1200	4
MAS 10 20 10	100	M20	100	132	22	1500	4
MAS 10 20 15	100	M20	150	182	22	1500	4
MAS 10 24 15	100	M24	150	182	27	1500	4

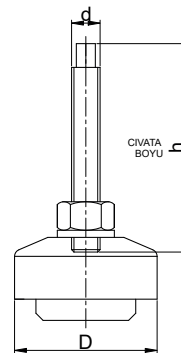
Rubber	Product Code	D	Pckg
	MAS 060 Rubber	60	100
	MAS 080 Rubber	80	100
	MAS 100 Rubber	100	100

MAS rubber series can also be used in MAM and MAIM products.

**DA** CAST IRON FEET



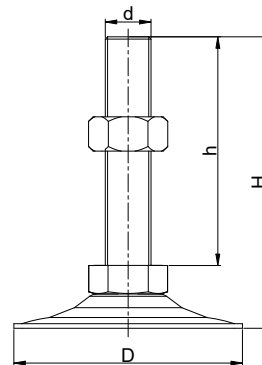
Product Code	D	d	h	Kg	Pckg
DA 100 16 100	100	M16x1,5	100	750	4
DA 140 16 100	140	M16x1,5	100	1500	2
DA 160 20 100	160	M20x1,5	100	2500	2



**SA** STEEL SHEET FEET



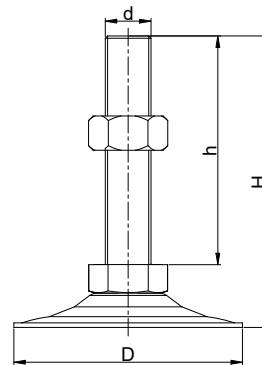
Product Code	D	d	h	H	Sw	Kg	Pckg
SA 10 12 90	100	M12	90	116	17	450	8
SA 10 16 10	100	M16	100	126	24	550	8
SA 10 20 15	100	M20	150	176	24	700	8



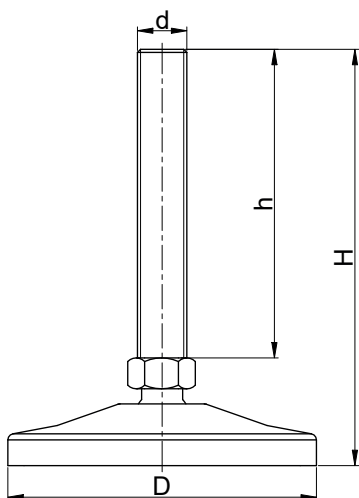
**SAI** STEEL SHEET FEET INOX



Product Code	D	d	h	H	Sw	Kg	Pckg
SAI 10 12 70	100	M12	70	96	17	450	8
SAI 10 16 10	100	M16	100	126	24	550	8
SAI 10 20 10	100	M20	100	126	24	700	8

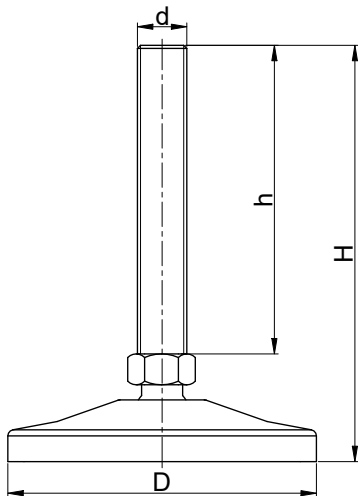


**MAM** METAL ARTICULATED FEET



Product Code	D	d	h	H	Sw	Sphere Foot	Kg	Pckg
MAM 60 10 45	60	M10	45	78	13	12	450	8
MAM 60 10 50	60	M10	50	83	13	12	450	8
MAM 60 10 60	60	M10	60	93	13	12	450	8
MAM 60 10 75	60	M10	75	108	13	12	450	8
MAM 60 10 90	60	M10	90	123	13	12	450	8
MAM 60 10 10	60	M10	100	133	13	12	450	8
MAM 60 10 12	60	M10	120	153	13	12	450	8
MAM 60 12 45	60	M12	45	78	13	12	450	8
MAM 60 12 50	60	M12	50	83	13	12	450	8
MAM 60 12 60	60	M12	60	93	13	12	450	8
MAM 60 12 75	60	M12	75	108	13	12	450	8
MAM 60 12 90	60	M12	90	123	13	12	450	8
MAM 60 12 10	60	M12	100	133	13	12	450	8
MAM 60 12 12	60	M12	120	153	13	12	450	8
MAM 60 16 60	60	M16	60	95	19	18	500	8
MAM 60 16 10	60	M16	100	135	19	18	500	8
MAM 60 16 15	60	M16	150	185	19	18	500	8
MAM 60 16 20	60	M16	200	235	19	18	500	8
MAM 60 20 10	60	M20	100	135	22	18	500	8
MAM 60 20 15	60	M20	150	185	22	18	500	8
MAM 60 20 20	60	M20	200	235	22	18	500	8
MAM 80 16 60	80	M16	60	95	19	18	600	8
MAM 80 16 10	80	M16	100	135	19	18	600	8
MAM 80 16 15	80	M16	150	185	19	18	600	8
MAM 80 16 20	80	M16	200	235	19	18	600	8
MAM 80 20 10	80	M20	100	135	22	18	600	8
MAM 80 20 15	80	M20	150	185	19	18	600	8
MAM 80 20 20	80	M20	200	235	22	18	600	8
MAM 10 16 60	100	M16	60	95	19	18	600	8
MAM 10 16 10	100	M16	100	135	19	18	600	8
MAM 10 16 15	100	M16	150	185	19	18	600	8
MAM 10 16 20	100	M16	200	235	22	18	600	8
MAM 10 20 10	100	M20	100	135	22	18	600	8
MAM 10 20 15	100	M20	150	185	22	18	600	8
MAM 10 20 20	100	M20	200	235	22	18	600	8

**MAIM** METAL PLATED FEET INOX



Product Code	D	d	h	H	Sw	Sphere Foot	Kg	Pckg
MAIM 60 10 50	60	M10	50	83	13	12	900	4
MAIM 60 10 75	60	M10	75	108	13	12	900	4
MAIM 60 10 10	60	M10	100	133	13	12	900	4
MAIM 60 12 50	60	M12	50	83	13	12	900	4
MAIM 60 12 75	60	M12	75	108	13	12	900	4
MAIM 60 12 10	60	M12	100	133	13	12	900	4
MAIM 60 16 10	60	M16	100	135	19	18	1000	4
MAIM 60 16 15	60	M16	150	185	19	18	1000	4
MAIM 60 16 20	60	M16	200	235	19	18	1000	4
MAIM 60 20 10	60	M20	100	135	22	18	1000	4
MAIM 60 20 15	60	M20	150	185	22	18	1000	4
MAIM 60 20 20	60	M20	200	235	22	18	1000	4
MAIM 80 16 10	80	M16	100	135	19	18	1200	4
MAIM 80 16 15	80	M16	150	135	19	18	1200	4
MAIM 80 16 20	80	M16	200	235	19	18	1200	4
MAIM 80 20 10	80	M20	100	135	22	18	1200	4
MAIM 80 20 15	80	M20	150	185	19	18	1200	4
MAIM 80 20 20	80	M20	200	235	22	18	1200	4
MAIM 10 16 10	100	M16	100	135	19	18	1500	4
MAIM 10 16 15	100	M16	150	185	19	18	1500	4
MAIM 10 16 20	100	M16	200	235	22	18	1500	4
MAIM 10 20 10	100	M20	100	135	22	18	1500	4
MAIM 10 20 15	100	M20	150	185	22	18	1500	4
MAIM 10 20 20	100	M20	200	235	22	18	1500	4

**KT** RUBBER BASE



Product Code	L1xL2	H	Kg	Pckg
<b>KT 100 20</b>	100x100	20	500	4
<b>KT 100 30</b>	100x100	30	500	4
<b>KT 120 20</b>	120x120	20	750	4
<b>KT 120 30</b>	120x120	30	750	4
<b>KT 150 20</b>	150x150	20	1000	4
<b>KT 150 30</b>	150x150	30	1000	4
<b>KT 200 20</b>	200x200	20	1250	2
<b>KT 200 30</b>	200x200	30	1250	2

**KTs** RUBBER BASE / Black



Product Code	L1xL2	H	Kg	Pckg
<b>KTs 100 20</b>	100x100	20	500	4
<b>KTs 100 30</b>	100x100	30	500	4
<b>KTs 120 20</b>	120x120	20	750	4
<b>KTs 120 30</b>	120x120	30	750	4
<b>KTs 150 20</b>	150x150	20	1000	4
<b>KTs 150 30</b>	150x150	30	1000	4
<b>KTs 200 20</b>	200x200	20	1250	2
<b>KTs 200 30</b>	200x200	30	1250	2

**RUBBER**

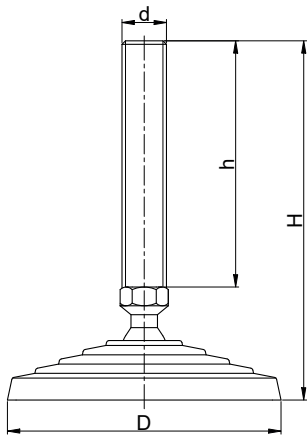


Product Code	D	Pckg
<b>KKA 040 Rubber</b>	40	100
<b>KKA 060 Rubber</b>	60	40
<b>KKA 080 Rubber</b>	80	20
<b>KKA 100 Rubber</b>	100	15
<b>KKA 120 Rubber</b>	120	10
<b>MDA 080 Rubber</b>	80	10
<b>MDA 120 Rubber</b>	120	8
<b>MDA 160 Rubber</b>	160	2
<b>MDA 200 Rubber</b>	200	2
<b>MDA 240 Rubber</b>	240	1
<b>MAS 060 Rubber</b>	60	100
<b>MAS 080 Rubber</b>	80	100
<b>MAS 100 Rubber</b>	100	100
<b>PAM 040 Rubber</b>	40	100
<b>PAM 050 Rubber</b>	50	100
<b>PAM 060 Rubber</b>	60	100
<b>PAM 080 Rubber</b>	80	100
<b>PAM 110 Rubber</b>	110	50
<b>PAS 125 Rubber</b>	125	50



**PAM** PLASTIC ARTICULATED FEET

Temperature resistance: -20°C to +100°C



Product Code	D	d	h	H	Sw	Sphere Foot	Kg	Pckg
PAM 40 08 45	40	M8	45	75	13	12	400	25
PAM 40 08 60	40	M8	60	90	13	12	400	25
PAM 40 10 45	40	M10	45	75	13	12	400	25
PAM 40 10 50	40	M10	50	80	13	12	400	25
PAM 40 10 60	40	M10	60	90	13	12	400	25
PAM 40 10 75	40	M10	75	105	13	12	400	25
PAM 40 10 90	40	M10	90	120	13	12	400	25
PAM 40 10 10	40	M10	100	130	13	12	400	25
PAM 40 10 12	40	M10	120	150	13	12	400	25
PAM 40 12 45	40	M12	45	75	13	12	400	25
PAM 40 12 50	40	M12	50	80	13	12	400	25
PAM 40 12 60	40	M12	60	90	13	12	400	25
PAM 40 12 75	40	M12	75	105	13	12	400	25
PAM 40 12 90	40	M12	90	120	13	12	400	25
PAM 40 12 10	40	M12	100	130	13	12	400	25
PAM 40 12 12	40	M12	120	150	13	12	400	25
PAM 50 08 45	50	M8	45	75	13	12	450	25
PAM 50 08 60	50	M8	60	90	13	12	450	25
PAM 50 10 45	50	M10	45	75	13	12	450	25
PAM 50 10 50	50	M10	50	80	13	12	450	25
PAM 50 10 60	50	M10	60	90	13	12	450	25
PAM 50 10 75	50	M10	75	105	13	12	450	25
PAM 50 10 90	50	M10	90	120	13	12	450	25
PAM 50 10 10	50	M10	100	130	13	12	450	25
PAM 50 10 12	50	M10	120	150	13	12	450	25
PAM 50 12 45	50	M12	45	75	13	12	450	25
PAM 50 12 50	50	M12	50	80	13	12	450	25
PAM 50 12 60	50	M12	60	90	13	12	450	25
PAM 50 12 75	50	M12	75	105	13	12	450	25
PAM 50 12 90	50	M12	90	120	13	12	450	25
PAM 50 12 10	50	M12	100	130	13	12	450	25
PAM 50 12 12	50	M12	120	150	13	12	450	25
PAM 60 08 45	60	M8	45	79	13	12	500	16
PAM 60 08 60	60	M8	60	94	13	12	500	16
PAM 60 10 45	60	M10	45	79	13	12	500	16
PAM 60 10 50	60	M10	50	84	13	12	500	16
PAM 60 10 60	60	M10	60	94	13	12	500	16
PAM 60 10 75	60	M10	75	109	13	12	500	16
PAM 60 10 90	60	M10	90	124	13	12	500	16
PAM 60 10 10	60	M10	100	134	13	12	500	16
PAM 60 10 12	60	M12	120	154	13	12	500	16

Rubber	Product Code	D	Pckg
	PAM 040 Rubber	40	100
	PAM 050 Rubber	50	100
	PAM 060 Rubber	60	100
	PAM 080 Rubber	80	100
	PAM 110 Rubber	110	50

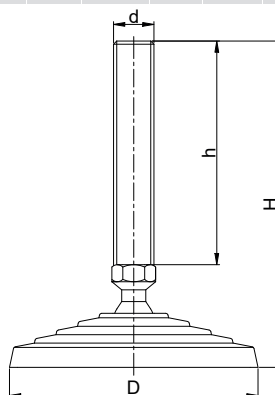
PAM rubber series can also be used in PAIM, PAMD, PAIMD, PMA and PAMB products.

**PAM** PALSTIC ARTICULATED FEET

Temperature resistance: -20°C to +100°C



Product Code	D	d	h	H	Sw	Sphere Foot	Kg	Pckg
PAM 60 12 60	60	M12	60	100	19	18	500	16
PAM 60 12 10	60	M12	100	140	19	18	500	16
PAM 60 12 15	60	M12	150	190	19	18	500	16
PAM 60 16 60	60	M16	60	100	19	18	500	16
PAM 60 16 10	60	M16	100	140	19	18	500	16
PAM 60 16 15	60	M16	150	190	19	18	500	16
PAM 60 16 20	60	M16	200	240	22	18	500	16
PAM 60 20 10	60	M20	100	140	22	18	500	16
PAM 60 20 15	60	M20	150	190	22	18	500	16
PAM 60 20 20	60	M20	200	240	22	18	500	16

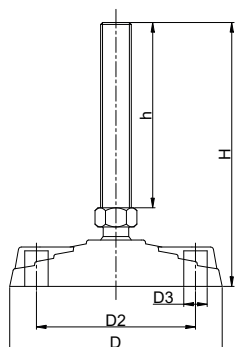


**PAMZB** PLASTIC ARTICULATED FEET

Temperature resistance: -20°C to +100°C

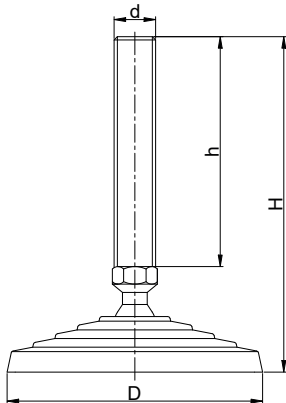


Product Code	D	d	D2	D3	h	H	Sw	Sphere Foot	Kg	Pckg
PAMZB 80 12 60	80	M12	54	8	60	100	19	18	600	16
PAMZB 80 12 10	80	M12	54	8	100	140	19	18	600	16
PAMZB 80 12 15	80	M12	54	8	150	190	19	18	600	16
PAMZB 80 16 60	80	M16	54	8	60	100	19	18	600	16
PAMZB 80 16 10	80	M16	54	8	100	140	19	18	600	16
PAMZB 80 16 15	80	M16	54	8	150	190	19	18	600	16
PAMZB 80 16 20	80	M16	54	8	200	240	22	18	600	16
PAMZB 80 20 10	80	M20	54	8	100	140	22	18	600	16
PAMZB 80 20 15	80	M20	54	8	150	190	22	18	600	16
PAMZB 80 20 20	80	M20	54	8	200	240	22	18	600	16
PAMZB 11 12 60	110	M12	83	12	60	100	19	18	1000	16
PAMZB 11 12 10	110	M12	83	12	100	140	19	18	1000	16
PAMZB 11 12 15	110	M12	83	12	150	190	19	18	1000	16
PAMZB 11 16 60	110	M16	83	12	60	100	19	18	1000	16
PAMZB 11 16 10	110	M16	83	12	100	140	19	18	1000	16
PAMZB 11 16 15	110	M16	83	12	150	190	19	18	1000	16
PAMZB 11 16 20	110	M16	83	12	200	240	22	18	1000	16
PAMZB 11 20 10	110	M20	83	12	100	140	22	18	1000	16
PAMZB 11 20 15	110	M20	83	12	150	190	22	18	1000	16
PAMZB 11 20 20	110	M20	83	12	200	240	22	18	1000	16



**PAIM** PLASTIC ARTICULATED FEET INOX

Temperature resistance: -20°C to +100°C



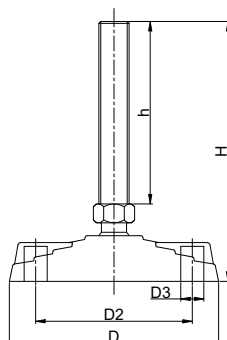
Product Code	D	d	h	H	Sw	Sphere Foot	Kg	Pckg
PAIM 40 08 60	40	M8	60	89	13	12	400	16
PAIM 40 10 50	40	M10	50	79	13	12	400	16
PAIM 40 10 75	40	M10	75	104	13	12	400	16
PAIM 40 10 10	40	M10	100	129	13	12	400	16
PAIM 40 12 50	40	M12	50	79	13	12	400	16
PAIM 40 12 75	40	M12	75	104	13	12	400	16
PAIM 40 12 10	40	M12	100	129	13	12	400	16
PAIM 50 08 60	50	M8	60	89	13	12	450	16
PAIM 50 10 50	50	M10	50	79	13	12	450	16
PAIM 50 10 75	50	M10	75	104	13	12	450	16
PAIM 50 10 10	50	M10	100	129	13	12	450	16
PAIM 50 12 50	50	M12	50	79	13	12	450	16
PAIM 50 12 75	50	M12	75	104	13	12	450	16
PAIM 50 12 10	50	M12	100	129	13	12	450	16
PAIM 60 16 10	60	M16	100	131	19	18	500	16
PAIM 60 16 15	60	M16	150	181	19	18	500	16
PAIM 60 20 10	60	M20	100	131	22	18	500	16
PAIM 60 20 15	60	M20	150	181	22	18	500	16

**PAIMZB** PLASTIC ARTICULATED FEET INOX

Temperature resistance: -20°C to +100°C

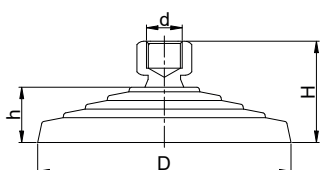


Product Code	D	d	D2	D3	h	H	Sw	Sphere Foot	Kg	Pckg
PAIMZB 80 16 10	80	M16	54	8	100	131	19	18	600	16
PAIMZB 80 16 15	80	M16	54	8	150	181	19	18	600	16
PAIMZB 80 20 10	80	M20	54	8	100	131	22	18	600	16
PAIMZB 80 20 15	80	M20	54	8	150	181	22	18	600	16
PAIMZB 11 16 10	110	M16	83	12	100	131	19	18	1000	16
PAIMZB 11 16 15	110	M16	83	12	150	181	19	18	1000	16
PAIMZB 11 20 10	110	M20	83	12	100	131	22	18	1000	16
PAIMZB 11 20 15	110	M20	83	12	150	181	22	18	1000	16



**PAMB** PLASTIC ARTICULATED FEET INOX

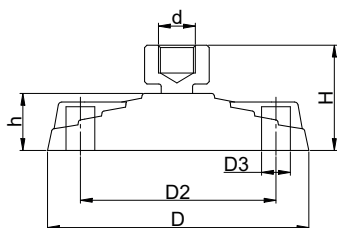
Temperature resistance: -20°C to +100°C



Product Code	D	d	h	H	Sw	Sphere Foot	Kg	Pckg
<b>PAMB 60 10</b>	60	M10	24	47	19	18	500	10
<b>PAMB 60 12</b>	60	M12	24	47	19	18	500	10
<b>PAMB 60 16</b>	60	M16	24	47	19	18	500	10

**PAMBZB** PLASTIC ARTICULATED FEET INOX

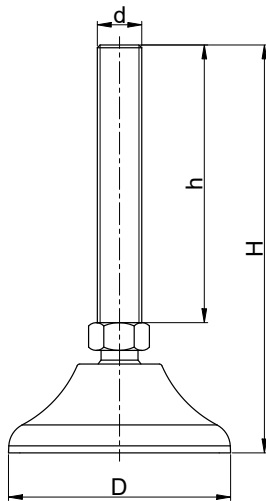
Temperature resistance: -20°C to +100°C



Product Code	D	d	D2	D3	h	H	Sw	Sphere Foot	Kg	Pckg
<b>PAMBZB 80 10</b>	80	M10	54	8	24	47	19	18	600	10
<b>PAMBZB 80 12</b>	80	M12	54	8	24	47	19	18	600	10
<b>PAMBZB 80 16</b>	80	M16	54	8	24	47	19	18	600	10
<b>PAMBZB 11 10</b>	110	M10	83	12	24	47	19	18	1000	4
<b>PAMBZB 11 12</b>	110	M12	83	12	24	47	19	18	1000	4
<b>PAMBZB 11 16</b>	110	M16	83	12	24	47	19	18	1000	4

**PAMD** PLASTIC ARTICULATED FEET

Temperature resistance: -20°C to +100°C

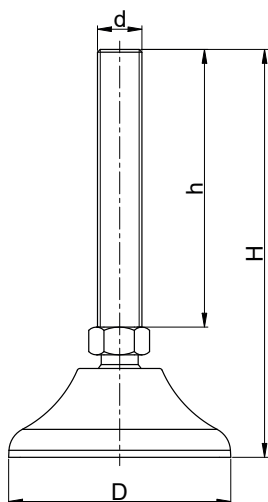


Product Code	D	d	h	H	Sw	Sphere Foot	Kg	Pckg
PAMD 40 08 45	40	M8	45	74	13	12	400	25
PAMD 40 08 60	40	M8	60	89	13	12	400	25
PAMD 40 10 45	40	M10	45	74	13	12	400	25
PAMD 40 10 50	40	M10	50	79	13	12	400	25
PAMD 40 10 60	40	M10	60	89	13	12	400	25
PAMD 40 10 75	40	M10	75	104	13	12	400	25
PAMD 40 10 90	40	M10	90	119	13	12	400	25
PAMD 40 10 10	40	M10	100	129	13	12	400	25
PAMD 40 10 12	40	M10	120	149	13	12	400	25
PAMD 40 12 45	40	M12	45	74	13	12	400	25
PAMD 40 12 50	40	M12	50	79	13	12	400	25
PAMD 40 12 60	40	M12	60	89	13	12	400	25
PAMD 40 12 75	40	M12	75	104	13	12	400	25
PAMD 40 12 90	40	M12	90	119	13	12	400	25
PAMD 40 12 10	40	M12	100	129	13	12	400	25
PAMD 40 12 12	40	M12	120	149	13	12	400	25
PAMD 50 08 45	50	M8	45	74	13	12	450	25
PAMD 50 08 60	50	M8	60	89	13	12	450	25
PAMD 50 10 45	50	M10	45	74	13	12	450	25
PAMD 50 10 50	50	M10	50	79	13	12	450	25
PAMD 50 10 60	50	M10	60	89	13	12	450	25
PAMD 50 10 75	50	M10	75	104	13	12	450	25
PAMD 50 10 90	50	M10	90	119	13	12	450	25
PAMD 50 10 10	50	M10	100	129	13	12	450	25
PAMD 50 10 12	50	M10	120	149	13	12	450	25
PAMD 50 12 45	50	M12	45	74	13	12	450	25
PAMD 50 12 50	50	M12	50	79	13	12	450	25
PAMD 50 12 60	50	M12	60	89	13	12	450	25
PAMD 50 12 75	50	M12	75	104	13	12	450	25
PAMD 50 12 90	50	M12	90	119	13	12	450	25
PAMD 50 12 10	50	M12	100	129	13	12	450	25
PAMD 50 12 12	50	M12	120	149	13	12	450	25
PAMD 60 08 45	60	M8	45	85	13	12	500	16
PAMD 60 08 60	60	M8	60	100	13	12	500	16
PAMD 60 10 45	60	M10	45	85	13	12	500	16
PAMD 60 10 50	60	M10	50	90	13	12	500	16
PAMD 60 10 60	60	M10	60	100	13	12	500	16
PAMD 60 10 75	60	M10	75	115	13	12	500	16
PAMD 60 10 90	60	M10	90	130	13	12	500	16
PAMD 60 10 10	60	M10	100	140	13	12	500	16
PAMD 60 10 12	60	M10	120	160	13	12	500	16

# PAMD

PLASTIC ARTICULATED FEET

Temperature resistance: -20°C to +100°C

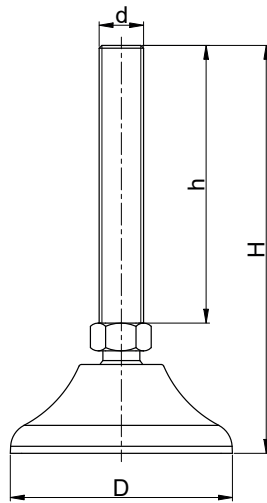


Product Code	D	d	h	H	Sw	Sphere Foot	Kg	Pckg
PAMD 60 12 60	60	M12	60	107	19	18	500	16
PAMD 60 12 10	60	M12	100	147	19	18	500	16
PAMD 60 12 15	60	M12	150	197	19	18	500	16
PAMD 60 16 60	60	M16	60	107	19	18	500	16
PAMD 60 16 10	60	M16	100	147	19	18	500	16
PAMD 60 16 15	60	M16	150	197	19	18	500	16
PAMD 60 16 20	60	M16	200	247	22	18	500	16
PAMD 60 20 10	60	M20	100	147	22	18	500	16
PAMD 60 20 15	60	M20	150	197	22	18	500	16
PAMD 60 20 20	60	M20	200	247	22	18	500	16
PAMD 80 12 60	80	M12	60	107	19	18	600	16
PAMD 80 12 10	80	M12	100	147	19	18	600	16
PAMD 80 12 15	80	M12	150	197	19	18	600	16
PAMD 80 16 60	80	M16	60	107	19	18	600	16
PAMD 80 16 10	80	M16	100	147	19	18	600	16
PAMD 80 16 15	80	M16	150	197	19	18	600	16
PAMD 80 16 20	80	M16	200	247	22	18	600	16
PAMD 80 20 10	80	M20	100	147	22	18	600	16
PAMD 80 20 15	80	M20	150	197	22	18	600	16
PAMD 80 20 20	80	M20	200	247	22	18	600	16
PAMD 11 12 60	110	M12	60	107	19	18	1000	16
PAMD 11 12 10	110	M12	100	147	19	18	1000	16
PAMD 11 12 15	110	M12	150	197	19	18	1000	16
PAMD 11 16 60	110	M16	60	107	19	18	1000	16
PAMD 11 16 10	110	M16	100	147	19	18	1000	16
PAMD 11 16 15	110	M16	150	197	19	18	1000	16
PAMD 11 16 20	110	M16	200	247	22	18	1000	16
PAMD 11 20 10	110	M20	100	147	22	18	1000	16
PAMD 11 20 15	110	M20	150	197	22	18	1000	16
PAMD 11 20 20	110	M20	200	247	22	18	1000	16

**PAIMD**

PLASTIC ARTICULATED FEET INOX

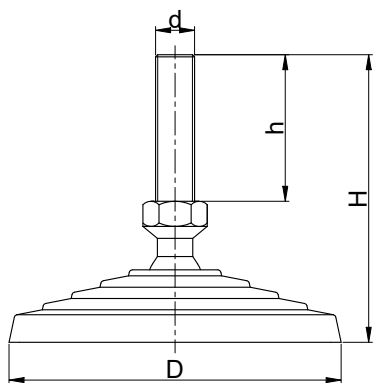
Temperature resistance: -20°C to +100°C



Product Code	D	d	h	H	Sw	Sphere Foot	Kg	Pckg
PAIMD 40 08 60	40	M8	60	89	13	12	400	25
PAIMD 40 10 50	40	M10	50	79	13	12	400	25
PAIMD 40 10 75	40	M10	75	104	13	12	400	25
PAIMD 40 10 10	40	M10	100	129	13	12	400	25
PAIMD 40 12 50	40	M12	50	79	13	12	400	25
PAIMD 40 12 75	40	M12	75	104	13	12	400	25
PAIMD 40 12 10	40	M12	100	129	13	12	400	25
PAIMD 50 08 60	50	M8	60	89	13	12	450	25
PAIMD 50 10 50	50	M10	50	79	13	12	450	25
PAIMD 50 10 75	50	M10	75	104	13	12	450	25
PAIMD 50 10 10	50	M10	100	129	13	12	450	25
PAIMD 50 12 50	50	M12	50	79	13	12	450	25
PAIMD 50 12 75	50	M12	75	104	13	12	450	25
PAIMD 50 12 10	50	M12	100	129	13	12	450	25
PAIMD 60 16 10	60	M16	100	131	19	18	500	16
PAIMD 60 16 15	60	M16	150	181	19	18	500	16
PAIMD 60 20 10	60	M20	100	131	22	18	500	16
PAIMD 60 20 15	60	M20	150	181	22	18	500	16
PAIMD 80 16 10	80	M16	100	131	19	18	600	16
PAIMD 80 16 15	80	M16	150	181	19	18	600	16
PAIMD 80 20 10	80	M20	100	131	22	18	600	16
PAIMD 80 20 15	80	M20	150	181	22	18	600	16
PAIMD 11 16 10	110	M16	100	131	19	18	1000	16
PAIMD 11 16 15	110	M16	150	181	19	18	1000	16
PAIMD 11 20 10	110	M20	100	131	22	18	1000	16
PAIMD 11 20 15	110	M20	150	181	22	18	1000	16

**PMA** PLASTIC ARTICULATED FEET

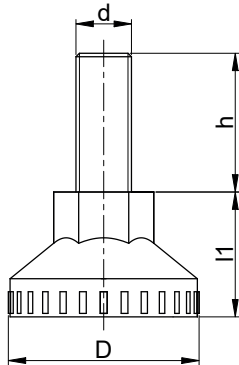
Temperature resistance: -20°C to +100°C



Product Code	D	d	h	H	Sw	Sphere Foot	Pckg
PMA 60 10 50	60	M10	50	94	24	18	16
PMA 60 10 10	60	M10	100	144	24	18	16
PMA 60 12 50	60	M12	50	94	24	18	16
PMA 60 12 10	60	M12	100	144	24	18	16
PMA 60 16 50	60	M16	50	94	24	18	16
PMA 60 16 10	60	M16	100	144	24	18	16
PMA 60 16 15	60	M16	150	194	24	18	16
PMA 60 16 20	60	M16	200	244	24	18	16
PMA 60 20 50	60	M20	50	94	24	18	16
PMA 60 20 10	60	M20	100	144	24	18	16
PMA 60 20 15	60	M20	150	194	24	18	16
PMA 60 20 20	60	M20	200	244	24	18	16
PMA 80 10 50	80	M10	50	94	24	18	16
PMA 80 10 10	80	M10	100	144	24	18	16
PMA 80 12 50	80	M12	50	94	24	18	16
PMA 80 12 10	80	M12	100	144	24	18	16
PMA 80 16 50	80	M16	50	94	24	18	16
PMA 80 16 10	80	M16	100	144	24	18	16
PMA 80 16 15	80	M16	150	194	24	18	16
PMA 80 16 20	80	M16	200	244	24	18	16
PMA 80 20 50	80	M20	50	94	24	18	16
PMA 80 20 10	80	M20	100	144	24	18	16
PMA 80 20 15	80	M20	150	194	24	18	16
PMA 80 20 20	80	M20	200	244	24	18	16
PMA 11 10 50	110	M10	50	94	24	18	16
PMA 11 10 10	110	M10	100	144	24	18	16
PMA 11 12 50	110	M12	50	94	24	18	16
PMA 11 12 10	110	M12	100	144	24	18	16
PMA 11 16 50	110	M16	50	94	24	18	16
PMA 11 16 10	110	M16	100	144	24	18	16
PMA 11 16 15	110	M16	150	194	24	18	16
PMA 11 16 20	110	M16	200	244	24	18	16
PMA 11 20 50	110	M20	50	94	24	18	16
PMA 11 20 10	110	M20	100	144	24	18	16
PMA 11 20 15	110	M20	150	194	24	18	16
PMA 11 20 20	110	M20	200	244	24	18	16



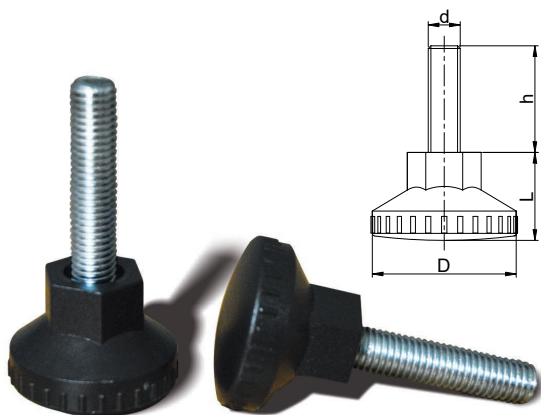
**PRA** PLASTIC FEET



Temperature resistance: -20°C to +100°C

Product Code	D	d	h	l1	Kg	Pckg
PRA 35 08 40	35	M8	40	26	45	100
PRA 35 08 50	35	M8	50	26	45	100
PRA 35 08 60	35	M8	60	26	45	100
PRA 35 10 40	35	M10	40	26	50	100
PRA 35 10 50	35	M10	50	26	50	100
PRA 35 10 60	35	M10	60	26	50	100
PRA 35 12 40	35	M12	40	26	55	100
PRA 35 12 50	35	M12	50	26	55	100
PRA 35 12 60	35	M12	60	26	55	100
PRA 45 10 40	45	M10	40	30	75	50
PRA 45 10 50	45	M10	50	30	75	50
PRA 45 10 60	45	M10	60	30	75	50
PRA 45 12 40	45	M12	40	30	80	50
PRA 45 12 50	45	M12	50	30	80	50
PRA 45 12 60	45	M12	60	30	80	50
PRA 45 14 40	45	M14	40	30	85	50
PRA 45 14 50	45	M14	50	30	85	50
PRA 45 14 60	45	M14	60	30	85	50
PRA 45 16 40	45	M16	40	30	90	50
PRA 45 16 50	45	M16	50	30	90	50
PRA 45 16 60	45	M16	60	30	90	50
PRA 55 10 40	55	M10	40	35	100	50
PRA 55 10 50	55	M10	50	35	100	50
PRA 55 10 60	55	M10	60	35	100	50
PRA 55 12 40	55	M12	40	35	125	50
PRA 55 12 50	55	M12	50	35	125	50
PRA 55 12 60	55	M12	60	35	125	50
PRA 55 14 40	55	M14	40	35	150	50
PRA 55 14 50	55	M14	50	35	150	50
PRA 55 14 60	55	M14	60	35	150	50
PRA 55 16 40	55	M16	40	35	175	50
PRA 55 16 50	55	M16	50	35	175	50
PRA 55 16 60	55	M16	60	35	175	50

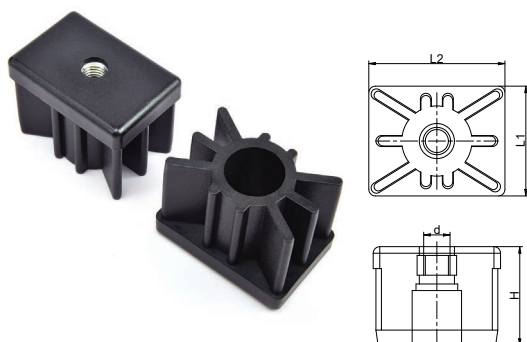
**PRAB** PLASTIC FEET CAMBERED



Temperature resistance: -20°C to +100°C

Product Code	D	d	h	L	Kg	Pckg
PRAB 46 10 40	45	M10	40	33	75	50
PRAB 46 10 50	45	M10	50	33	75	50
PRAB 46 10 60	45	M10	60	33	75	50
PRAB 46 12 40	45	M12	40	33	80	50
PRAB 46 12 50	45	M12	50	33	80	50
PRAB 46 12 60	45	M12	60	33	80	50
PRAB 46 14 40	45	M14	40	33	85	50
PRAB 46 14 50	45	M14	50	33	85	50
PRAB 46 14 60	45	M14	60	33	85	50
PRAB 46 16 40	45	M16	40	33	90	50
PRAB 46 16 50	45	M16	50	33	90	50
PRAB 46 16 60	45	M16	60	33	90	50

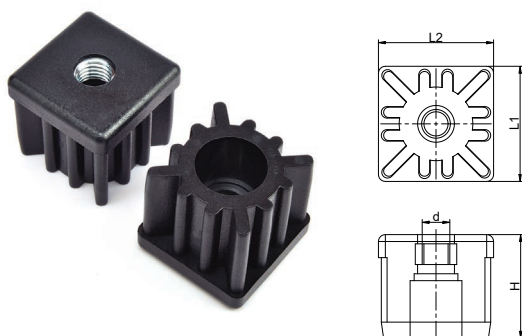
**PRd** PLASTIC TUBE / Rectangle



Temperature resistance: -20°C to +100°C

Product Code	L1xL2	d	H	T	Kg	Pckg
PRd 30 40 10	30x40	M10	38	1,5	330	100
PRd 30 40 12	30x40	M12	38	1,5	330	100
PRd 30 50 10	30x50	M10	38	1,5	400	100
PRd 30 50 12	30x50	M12	38	1,5	400	100
PRd 40 60 10	40x60	M10	45	1,5	525	25
PRd 40 60 12	40x60	M12	45	1,5	525	25
PRd 40 60 14	40x60	M14	45	1,5	575	25
PRd 40 60 16	40x60	M16	45	1,5	600	25

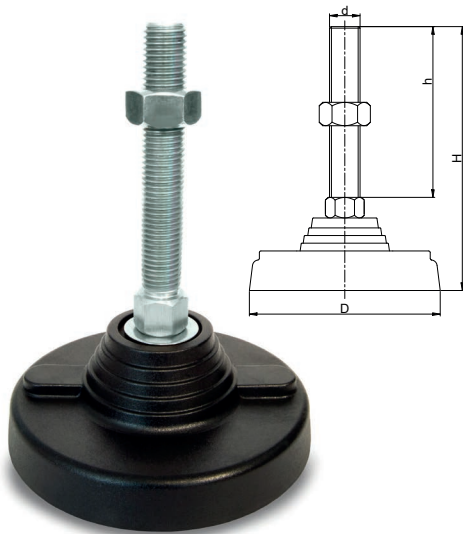
**PRk** PLASTIC TUBE / Square



Temperature resistance: -20°C to +100°C

Product Code	L1xL2	d	H	T	Kg	Pckg
PRk 25 25 10	25x25	M10	25,7	1,5	275	100
PRk 30 30 08	30x30	M8	30	1,5	275	100
PRk 30 30 10	30x30	M10	30	1,5	300	100
PRk 30 30 12	30x30	M12	30	1,5	325	100
PRk 40 40 10	40x40	M10	38	1,5	400	50
PRk 40 40 12	40x40	M12	38	1,5	400	50
PRk 40 40 14	40x40	M14	38	1,5	450	50
PRk 40 40 16	40x40	M16	38	1,5	500	50
PRk 50 50 10	50x50	M10	45	1,5	525	25
PRk 50 50 12	50x50	M12	45	1,5	525	25
PRk 50 50 14	50x50	M14	45	1,5	575	25
PRk 50 50 16	50x50	M16	45	1,5	600	25

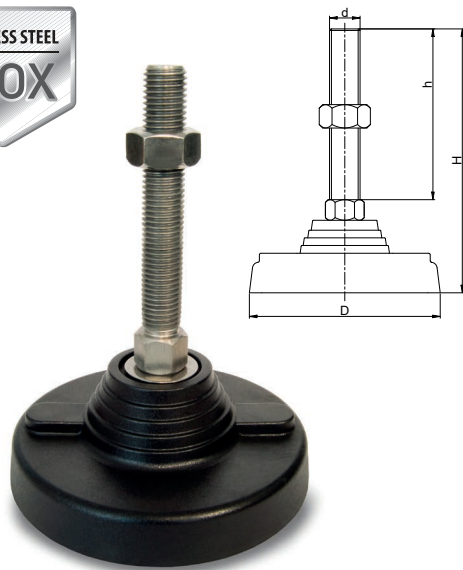
**PAS** PLASTIC FIXED FEET



Temperature resistance: -20°C to +100°C

Product Code	D	d	h	H	Sw	Kg	Pckg
PAS 12 16 10	125	M16	100	160	19	1500	4
PAS 12 16 15	125	M16	150	210	19	1500	4
PAS 12 20 10	125	M20	100	160	22	1500	4
PAS 12 20 15	125	M20	150	210	22	1500	4
PAS 12 24 15	125	M24	150	210	27	1500	4
PAS 12 20 20	125	M20	200	260	22	1500	4
PAS 12 20 25	125	M20	250	310	22	1500	4
PAS 12 20 30	125	M20	300	360	22	1500	4

**PAIS** PLASTIC FIXED FEET INOX



Temperature resistance: -20°C to +100°C

Product Code	D	d	h	H	Sw	Kg	Pckg
PAIS 12 16 10	125	M16	100	160	19	1500	4
PAIS 12 16 15	125	M16	150	210	19	1500	4
PAIS 12 20 10	125	M20	100	160	22	1500	4
PAIS 12 20 15	125	M20	150	210	22	1500	4
PAIS 12 24 15	125	M24	150	210	27	1500	4
PAIS 12 20 20	125	M20	200	260	22	1500	4
PAIS 12 20 25	125	M20	250	310	22	1500	4
PAIS 12 20 30	125	M20	300	360	22	1500	4

**Rubber**

Product Code	D	Pckg
PAS 120 Rubber	120	50

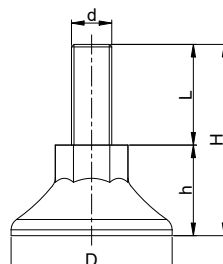
PAS rubber series can also be used in PAIS products.

**PPA** PLASTIC FEET



Temperature resistance: -20°C to +100°C

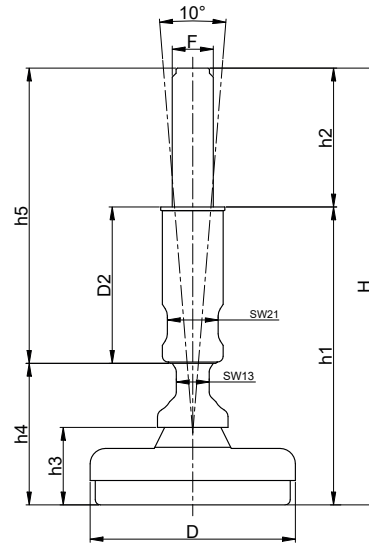
Product Code	D	d	L	h	H	Kg	Pckg
PPA 60 10 70	60	M10	70	28	98	150	50
PPA 60 12 70	60	M12	70	28	98	250	50
PPA 60 16 80	60	M16	80	28	108	400	50



**HIA** HYGIENIC INOX FEET



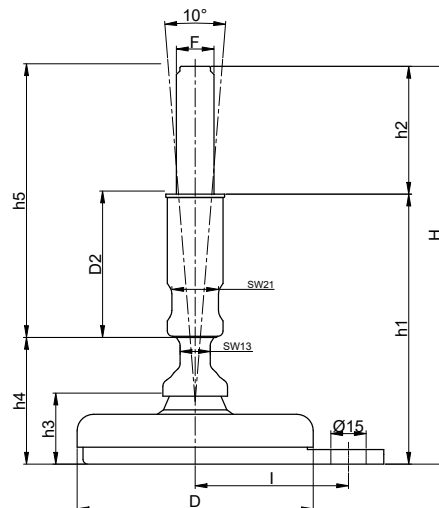
Product Code	D	H	D2	h1	h2	h3	h4	h5	F	Kg	Pckg
HIA	80	195	60	114	81	27	54	141	M16	500	1



**HIAZb** HYGIENIC INOX FEET CONNECTED to the FLOOR



Product Code	D	I	H	D2	h1	h2	h3	h4	h5	F	Kg	Pckg
HIAZb	80	54	192	60	112	80	24	52	140	M16	500	1

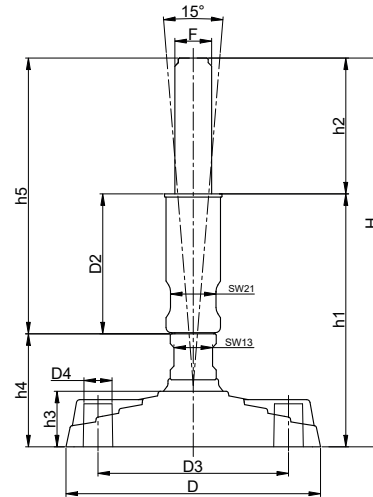


# HPAIMZB

HYGIENIC PLASTIC FEET/INOX FEET CONNECTED to the FLOOR



Product Code	D	H	D2	D3	D4	h1	h2	h3	h4	h5	F	Kg	Pckg
<b>HPAIMZB</b>	80	169	60	54	8	111	58	24	51	118	M16	500	1
<b>HPAIMZB</b>	110	169	60	83	12	111	58	24	51	118	M16	700	1

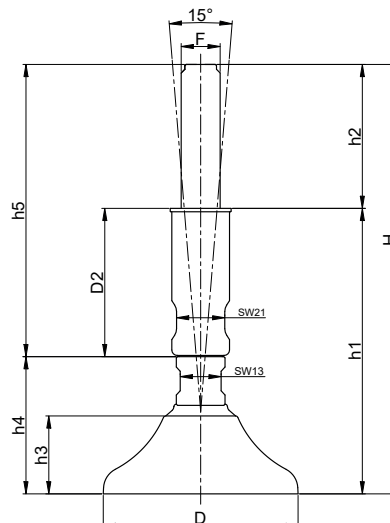


# HPAIMD

HYGIENIC PLASTIC FEET INOX FLAT



Product Code	D	H	D2	h1	h2	h3	h4	h5	F	Kg	Pckg
<b>HPAIMD</b>	60	176	60	118	58	29	52	140	M16	300	1
<b>HPAIMD</b>	80	176	60	118	58	29	52	140	M16	500	1
<b>HPAIMD</b>	110	176	60	118	58	29	52	140	M16	700	1

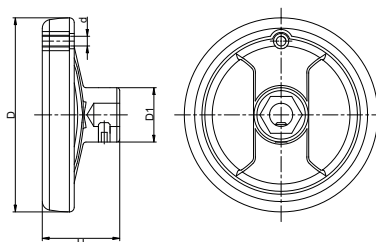


**PC** PLASTIC HANDWHEEL



Temperature resistance: -20°C to +100°C

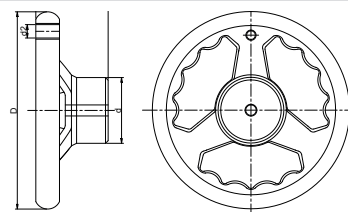
Product Code	D	d	d1	H	Pckg
PC 100 06	100	M6	28	40	1
PC 125 08	125	M8	30	45	1
PC 150 08	150	M8	50	50	1
PC 150 10	150	M10	50	50	1
PC 200 08	200	M8	50	55	1
PC 200 10	200	M10	50	55	1



**DC** CAST IRON HANDWHEEL



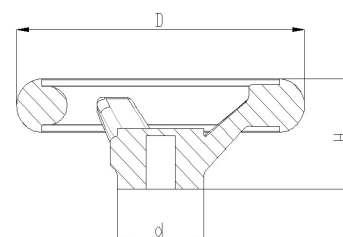
Product Code	D	H	d	d2	Pckg
DC 75 30 16	75	35	30	-	1
DC 85 35 16	85	40	35	M8	1
DC 10 40 16	100	45	40	M10	1
DC 12 45 16	125	50	45	M10	1
DC 15 50 24	150	55	50	M10	1
DC 18 55 24	180	60	55	M10	1
DC 20 60 24	200	60	60	M10	1
DC 25 65 24	250	65	65	M10	1
DC 30 70 24	300	75	70	M10	1



**AC3** ALUMINIUM HANDWHEEL



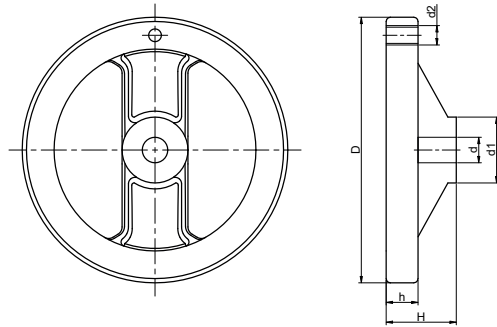
Product Code	D	H	d	Pckg
AC3 080	80	29	24	1
AC3 100	100	33	26	1
AC3 125	125	36	28	1
AC3 160	160	40	33	1
AC3 200	200	45	38	1
AC3 250	250	50	48	1



**AC** ALUMINIUM HANDWHEEL



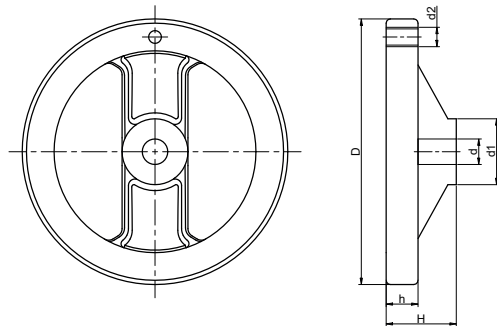
Product Code	D	H	d	d1	d2	h	Pckg
AC 125	125	33	12	31	6	15	1
AC 160	160	39	14	36	6	18	1
AC 200	200	45	18	42	6	20,5	1



**ACt** ALUMINIUM HANDWHEEL / Orange



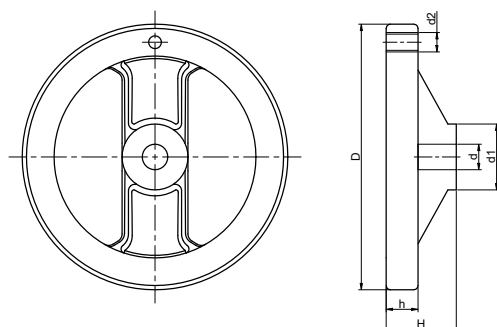
Product Code	D	H	d	d1	d2	h	Pckg
ACt 125	125	33	12	31	6	15	1
ACt 160	160	39	14	36	6	18	1
ACt 200	200	45	18	42	6	20,5	1



**ACp** ALUMINIUM HANDWHEEL / Chromed



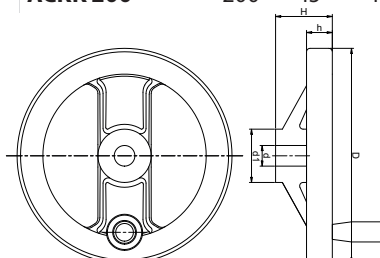
Product Code	D	H	d	d1	d2	h	Pckg
ACp 125	125	33	12	31	6	15	1
ACp 160	160	39	14	36	6	18	1
ACp 200	200	45	18	42	6	20,5	1



**ACKK** ALUMINIUM FOLD-AWAY HANDWHEEL



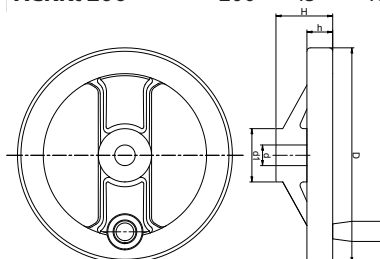
Product Code	D	H	d	d1	l	h	Pkg
<b>ACKK 125</b>	125	33	12	31	6	15	1
<b>ACKK 160</b>	160	39	14	36	6	18	1
<b>ACKK 200</b>	200	45	18	42	6	20,5	1



**ACKKt** ALUMINIUM FOLD-AWAY HANDWHEEL / Orange



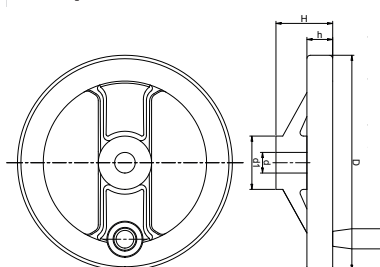
Product Code	D	H	d	d1	l	h	Pkg
<b>ACKKt 125</b>	125	33	12	31	6	15	1
<b>ACKKt 160</b>	160	39	14	36	6	18	1
<b>ACKKt 200</b>	200	45	18	42	6	20,5	1



**ACKKp** ALUMINIUM FOLD-AWAY HANDWHEEL / Chromed



Product Code	D	H	d	d1	l	h	Pkg
<b>ACKKp 125</b>	125	33	12	31	6	15	1
<b>ACKKp 160</b>	160	39	14	36	6	18	1
<b>ACKKp 200</b>	200	45	18	42	6	20,5	1

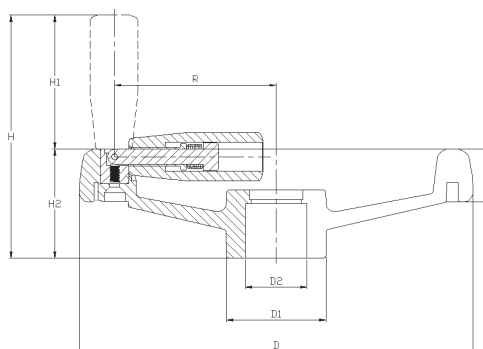


**PCKK** PLASTIC FOLD-AWAY HANDWHEEL



**NEW PRODUCT**

Product Code	D	D1	D2	H	H1	H2	B	R	Pkg
<b>PCKK 150</b>	150	50	32 SW	120	70	50	23	60	1
<b>PCKK 200</b>	200	50	32SW	125	70	55	28	82	1

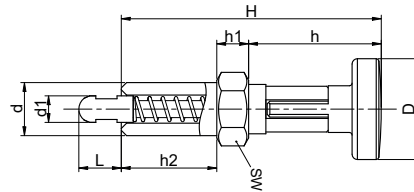




**IPP** INDEXING PISTON PIN



Product Code	D	d	d1	L	H	h	h1	h2	k	SW	Pckg
<b>IPP 10 1,0</b>	19	M10x1	5	8	49	25	6	18	3,9	12	1
<b>IPP 12 1,5</b>	23	M12x1,5	6	9	59	31	6	22	4,9	14	1
<b>IPP 16 1,5</b>	28	M16x1,5	10	12	71	37	8	26	7,9	17	1

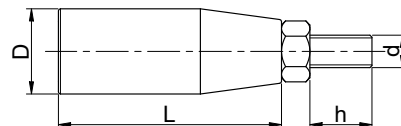


**PDK** PLASTIC REVOLVING HANDLE

Temperature resistance: -20°C to +100°C



Product Code	L	d	D	h	Pckg
<b>PDK 55 06</b>	55	M6	20	15,3	50
<b>PDK 55 08</b>	55	M8	20	15,3	50
<b>PDK 55 10</b>	55	M10	20	15,3	50
<b>PDK 70 06</b>	70	M6	25	15,3	50
<b>PDK 70 08</b>	70	M8	25	15,3	50
<b>PDK 70 10</b>	70	M10	25	15,3	50

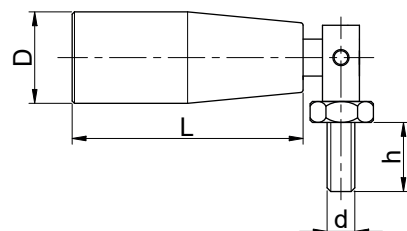


**PDKK** PLASTIC FOLD-AWAY HANDLE

Temperature resistance: -20°C to +100°C



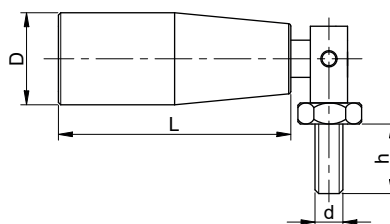
Product Code	L	d	D	h	Pckg
<b>PDKK 55 06</b>	55	M6	20	19,5	50
<b>PDKK 55 08</b>	55	M8	20	19,5	50
<b>PDKK 55 10</b>	55	M10	20	19,5	50
<b>PDKK 70 06</b>	70	M6	25	19,5	50
<b>PDKK 70 08</b>	70	M8	25	19,5	50
<b>PDKK 70 10</b>	70	M10	25	19,5	50



**CDKK** PLASTIC FOLD-AWAY HANDLE



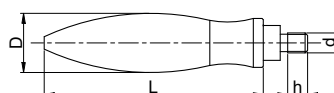
Product Code	D	d	h	L	Pckg
CDKK 50 06	20	M6	19,5	50	10
CDKK 50 08	20	M8	19,5	50	10
CDKK 70 08	20	M8	19,5	70	10
CDKK 70 10	20	M10	19,5	70	10



**KKCK** CHROMIUM-PLATED STEEL HANDLE



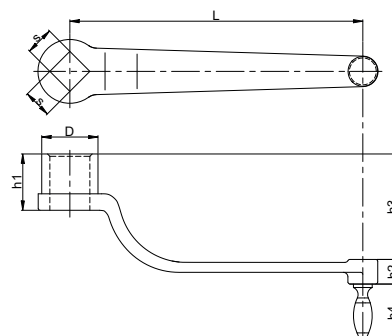
Product Code	D	d	h	L	Pckg
KKCK 20 54 06	20	M6	10	54	10
KKCK 20 54 08	20	M8	11	54	10
KKCK 20 54 10	20	M10	14	54	10
KKCK 22 72 06	22	M6	10	72	10
KKCK 22 72 08	22	M8	11	72	10
KKCK 22 72 10	22	M10	14	72	10
KKCK 24 88 06	24	M6	10	88	10
KKCK 24 88 08	24	M8	11	88	10
KKCK 24 88 10	24	M10	14	88	10



**DK** CAST IRON HANDLE



Product Code	L	D	SxS	h1	h2	h3	h4	Pckg
DK 100 14X14	100	28	14x14	29	13	60	50	4
DK 125 17X17	125	34	17x17	34	13	67	50	4
DK 160 19X19	160	38	19x19	40	14	77	64	1
DK 200 22X22	200	44	22x22	45	21	95	81	1
DK 250 24X24	250	47	24x24	53	21	114	81	1

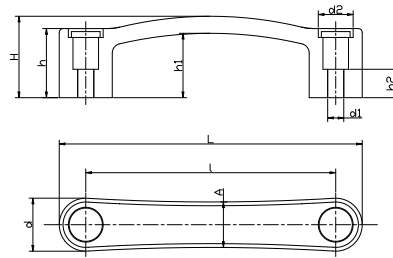


**PT1** PLASTIC HANDLE



Temperature resistance: -20°C to +100°C

Product Code	d	d1	d2	H	h	h1	h2	A	I	L	Pckg
<b>PT1 11 08</b>	28	M8	18,4	40,5	34	31,5	15	24	117	145	50
<b>PT1 13 08</b>	28	M8	18,4	43	36,5	34	15	24	132	160	50

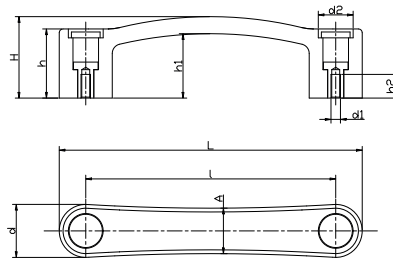


**PTB1** PLASTIC HANDLE



Temperature resistance: -20°C to +100°C

Product Code	d	d1	d2	H	h	h1	h2	A	I	L	Pckg
<b>PTB1 11 05</b>	28	M5	18,4	40,5	34	31,5	12	24	117	145	50
<b>PTB1 13 06</b>	28	M6	18,4	43	36,5	34	12	24	132	160	50

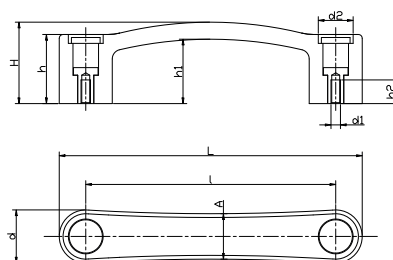


**PTB1P** PLASTIC HANDLE



Temperature resistance: -20°C to +100°C

Product Code	d	d1	d2	H	h	h1	h2	A	I	L	Pckg
<b>PTB1P 11 05</b>	28	M5	18,4	40,5	34	31,5	12	24	117	145	50
<b>PTB1P 13 06</b>	28	M6	18,4	43	36,5	34	12	24	132	160	50



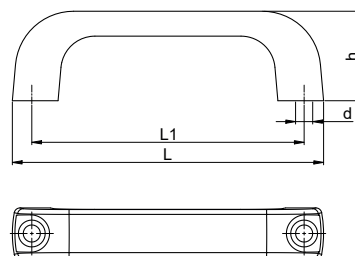
**PT** PLASTIC HANDLE



■ RAL 7021 Black

Temperature resistance: -20°C to +100°C

Product Code	L	L1	d	h	Pckg
<b>PT 11 08</b>	137	117	M8	41	50
<b>PT 14 08</b>	160	140	M8	46	50



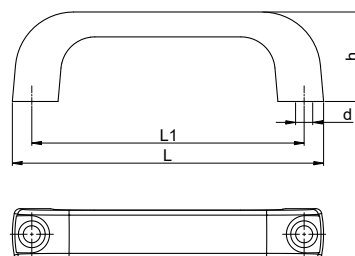
**PTt** PLASTIC HANDLE / Orange



■ RAL 2004 Orange

Temperature resistance: -20°C to +100°C

Product Code	L	L1	d	h	Pckg
<b>PTt 11 08</b>	137	117	M8	41	50
<b>PTt 14 08</b>	160	140	M8	46	50



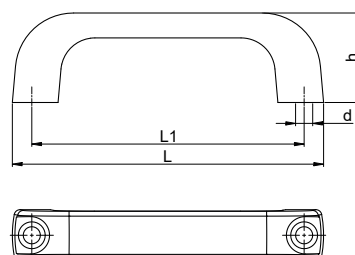
**PTk** PLASTIC HANDLE / Red



■ RAL 3000 Red

Temperature resistance: -20°C to +100°C

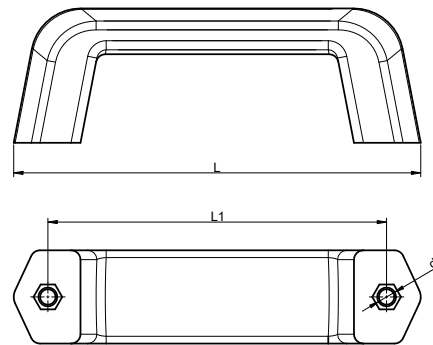
Product Code	L	L1	d	h	Pckg
<b>PTk 11 08</b>	137	117	M8	41	50
<b>PTk 14 08</b>	160	140	M8	46	50



**BT** BAKALITE HANDLE



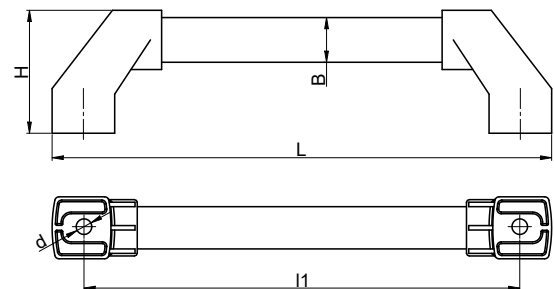
Product Code	L	l1	d	Pckg
<b>BT 13 06 11</b>	132	109	M6	25
<b>BT 16 08 15</b>	165	131	M8	25
<b>BT 16 10 17</b>	165	131	M10	25



**AT** ALUMINIUM HANDLE

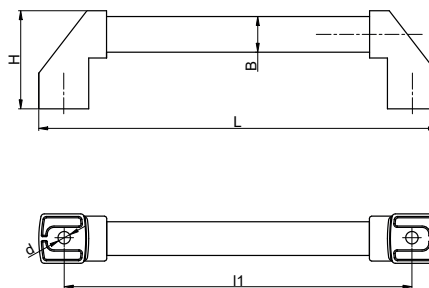


Product Code	l1	L	B	d	H	Pckg
<b>AT 200 20</b>	200	230	20	M8	57	10
<b>AT 300 20</b>	300	330	20	M8	57	10
<b>AT 400 20</b>	400	430	20	M8	57	10
<b>AT 500 20</b>	500	530	20	M8	57	10
<b>AT -20</b>			20	M8	57	10



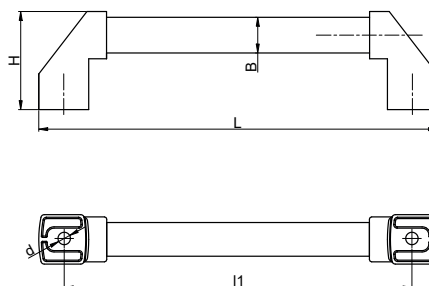
**MTs** METAL HANDLE BLACK

Product Code	l1	L	B	d	H	Pckg
<b>MTs 300 30</b>	300	330	30	m8	78	10
<b>MTs 400 30</b>	400	430	30	m8	78	10
<b>MTs 500 30</b>	500	530	30	m8	78	10
<b>MTs 600 30</b>	600	630	30	m8	78	10
<b>MT-30</b>			30	m8	78	10



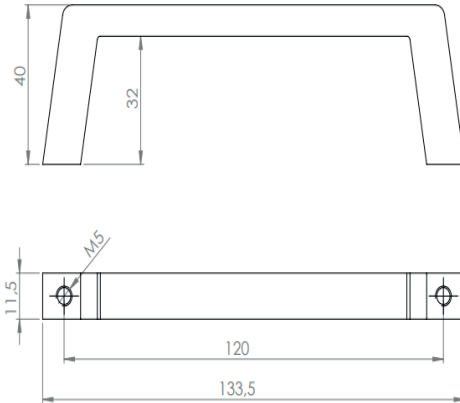
**AT** METAL HANDLE CHROMED

Product Code	l1	L	B	d	H	Pckg
<b>AT 300 30</b>	300	330	30	m8	78	10
<b>AT 400 30</b>	400	430	30	m8	78	10
<b>AT 500 30</b>	500	530	30	m8	78	10
<b>AT 600 30</b>	600	630	30	m8	78	10
<b>AT 30</b>						



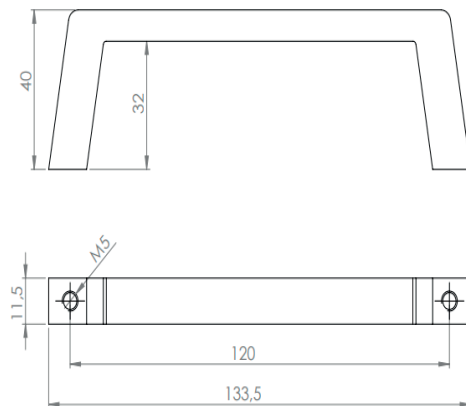
**ZTk** ZAMAK HANDLE CHROMIUM

Product Code	Pckg
ZTk 120 05	4

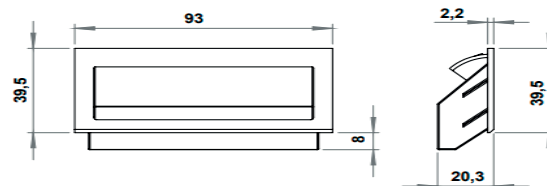
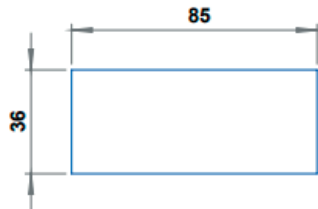


**ZTs** ZAMAK HANDLE BLACK

Product Code	Pckg
ZTs 120 05	4



**PGT** PLASTIC HANDLE

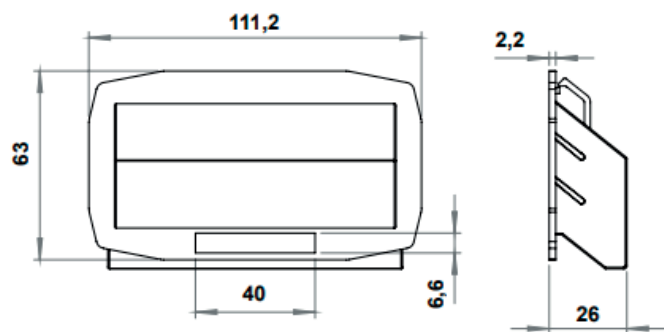


<b>PGT</b>
Ts=0,8-2,0 mm

Product Code	Pckg
<b>PGT</b>	25

Temperature resistance: -20°C to +100°C

**PGT1-2** PLASTIC HANDLE



PGT1	PGT2
Ts=0,8-1,2 mm	Ts=1,2-1,6 mm

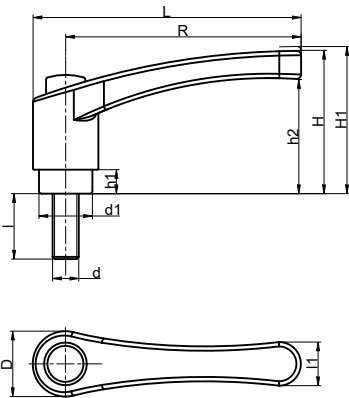
Product Code	Pckg
<b>PGT1</b>	25
<b>PGT2</b>	25

Temperature resistance: -20°C to +100°C



**PKC** PLASTIC HANDLE BOLTED

Temperature resistance: -20°C to +100°C



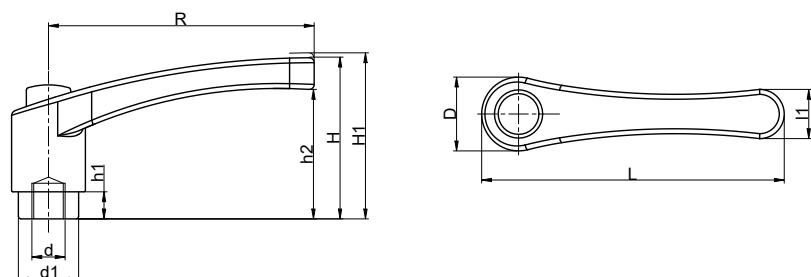
Product Code	R	d	l	H	D	d1	L	l1	H1	h1	h2	Pckg
PKC 63 06 30	63	M6	30	45,5	24	18,5	76	13	52	5	38	10
PKC 63 06 40	63	M6	40	45,5	24	18,5	76	13	52	5	38	10
PKC 63 08 30	63	M8	30	45,5	24	18,5	76	13	52	5	38	10
PKC 63 08 40	63	M8	40	45,5	24	18,5	76	13	52	5	38	10
PKC 63 08 50	63	M8	50	45,5	24	18,5	76	13	52	5	38	10
PKC 63 10 30	63	M10	30	45,5	24	18,5	76	13	52	5	38	10
PKC 63 10 40	63	M10	40	45,5	24	18,5	76	13	52	5	38	10
PKC 63 10 50	63	M10	50	45,5	24	18,5	76	13	52	5	38	10
PKC 63 10 60	63	M10	60	45,5	24	18,5	76	13	52	5	38	10
PKC 63 12 30	63	M12	30	45,5	24	18,5	76	13	52	5	38	10
PKC 63 12 40	63	M12	40	45,5	24	18,5	76	13	52	5	38	10
PKC 63 12 50	63	M12	50	45,5	24	18,5	76	13	52	5	38	10
PKC 63 12 60	63	M12	60	45,5	24	18,5	76	13	52	5	38	10
PKC 78 06 30	78	M6	30	45,5	24	18,5	92	13	52	5	38	10
PKC 78 06 40	78	M6	40	45,5	24	18,5	92	13	52	5	38	10
PKC 78 08 30	78	M8	30	45,5	24	18,5	92	13	52	5	38	10
PKC 78 08 40	78	M8	40	45,5	24	18,5	92	13	52	5	38	10
PKC 78 08 50	78	M8	50	45,5	24	18,5	92	13	52	5	38	10
PKC 78 10 30	78	M10	30	45,5	24	18,5	92	13	52	5	38	10
PKC 78 10 40	78	M10	40	45,5	24	18,5	92	13	52	5	38	10
PKC 78 10 50	78	M10	50	45,5	24	18,5	92	13	52	5	38	10
PKC 78 10 60	78	M10	60	45,5	24	18,5	92	13	52	5	38	10
PKC 78 12 30	78	M12	30	45,5	24	18,5	92	13	52	5	38	10
PKC 78 12 40	78	M12	40	45,5	24	18,5	92	13	52	5	38	10
PKC 78 12 50	78	M12	50	45,5	24	18,5	92	13	52	5	38	10
PKC 78 12 60	78	M12	60	45,5	24	18,5	92	13	52	5	38	10

**PKB** PLASTIC HANDLE BUSHED

Temperature resistance: -20°C to +100°C



Product Code	R	d	d1	D	L	l1	H	H1	h1	h2	Pckg
PKB 63 06	63	M6	18,5	24	76	13	45,5	52	5	38	10
PKB 63 08	63	M8	18,5	24	76	13	45,5	52	5	38	10
PKB 63 10	63	M10	18,5	24	76	13	45,5	52	5	38	10
PKB 63 12	63	M12	18,5	24	76	13	45,5	52	5	38	10
PKB 78 06	78	M6	18,5	24	92	13	45,5	52	5	38	10
PKB 78 08	78	M8	18,5	24	92	13	45,5	52	5	38	10
PKB 78 10	78	M10	18,5	24	92	13	45,5	52	5	38	10
PKB 78 12	78	M12	18,5	24	92	13	45,5	52	5	38	10

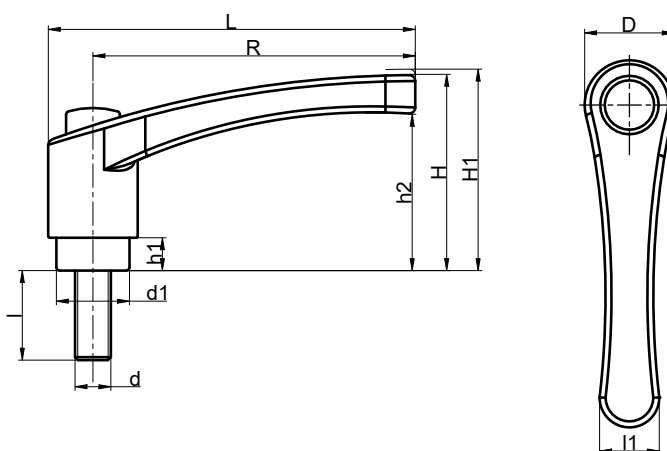


**PKCI** PLASTIC HANDLE BOLTED / INOX

Temperature resistance: -20°C to +100°C



Product Code	R	d	l	H	D	d1	L	l1	H1	h1	h2	Pckg
PKCI 63 06 30	63	M6	30	45,5	24	18,5	76	13	52	5	38	10
PKCI 63 08 30	63	M8	30	45,5	24	18,5	76	13	52	5	38	10
PKCI 63 10 30	63	M10	30	45,5	24	18,5	76	13	52	5	38	10
PKCI 63 12 30	63	M12	30	45,5	24	18,5	76	13	52	5	38	10
PKCI 78 06 30	78	M6	30	45,5	24	18,5	92	13	52	5	38	10
PKCI 78 08 30	78	M8	30	45,5	24	18,5	92	13	52	5	38	10
PKCI 78 10 30	78	M10	30	45,5	24	18,5	92	13	52	5	38	10
PKCI 78 12 30	78	M12	30	45,5	24	18,5	92	13	52	5	38	10

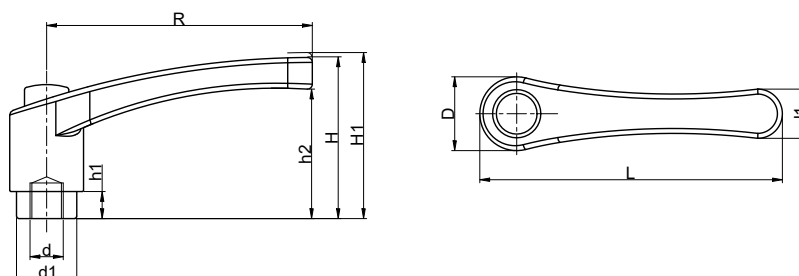


**PKBI** PLASTIC HANDLE BUSHED / INOX

Temperature resistance: -20°C to +100°C

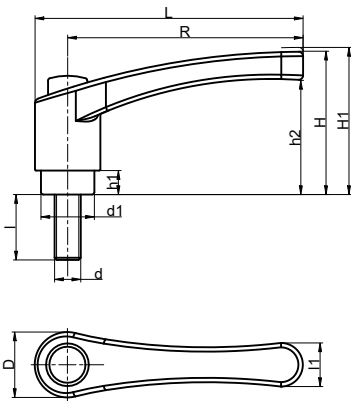


Product Code	R	d	d1	D	L	l1	H	H1	h1	h2	Pckg
PKBI 63 06	63	M6	18,5	24	76	13	45,5	52	5	38	10
PKBI 63 08	63	M8	18,5	24	76	13	45,5	52	5	38	10
PKBI 63 10	63	M10	18,5	24	76	13	45,5	52	5	38	10
PKBI 63 12	63	M12	18,5	24	76	13	45,5	52	5	38	10
PKBI 78 06	78	M6	18,5	24	92	13	45,5	52	5	38	10
PKBI 78 08	78	M8	18,5	24	92	13	45,5	52	5	38	10
PKBI 78 10	78	M10	18,5	24	92	13	45,5	52	5	38	10
PKBI 78 12	78	M12	18,5	24	92	13	45,5	52	5	38	10



**PKCt** PLASTIC HANDLE BOLTED / Orange

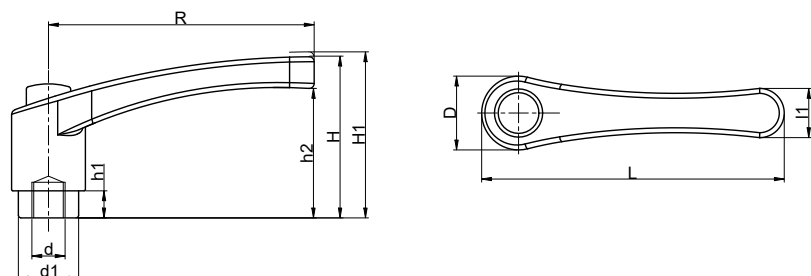
Temperature resistance: -20°C to +100°C



Product Code	R	d	l	H	D	d1	L	l1	H1	h1	h2	Pckg
PKCt 63 06 30	63	M6	30	45,5	24	18,5	76	13	52	5	38	10
PKCt 63 06 40	63	M6	40	45,5	24	18,5	76	13	52	5	38	10
PKCt 63 08 30	63	M8	30	45,5	24	18,5	76	13	52	5	38	10
PKCt 63 08 40	63	M8	40	45,5	24	18,5	76	13	52	5	38	10
PKCt 63 08 50	63	M8	50	45,5	24	18,5	76	13	52	5	38	10
PKCt 63 10 30	63	M10	30	45,5	24	18,5	76	13	52	5	38	10
PKCt 63 10 40	63	M10	40	45,5	24	18,5	76	13	52	5	38	10
PKCt 63 10 50	63	M10	50	45,5	24	18,5	76	13	52	5	38	10
PKCt 63 10 60	63	M10	60	45,5	24	18,5	76	13	52	5	38	10
PKCt 63 12 30	63	M12	30	45,5	24	18,5	76	13	52	5	38	10
PKCt 63 12 40	63	M12	40	45,5	24	18,5	76	13	52	5	38	10
PKCt 63 12 50	63	M12	50	45,5	24	18,5	76	13	52	5	38	10
PKCt 63 12 60	63	M12	60	45,5	24	18,5	76	13	52	5	38	10
PKCt 78 06 30	78	M6	30	45,5	24	18,5	92	13	52	5	38	10
PKCt 78 06 40	78	M6	40	45,5	24	18,5	92	13	52	5	38	10
PKCt 78 08 30	78	M8	30	45,5	24	18,5	92	13	52	5	38	10
PKCt 78 08 40	78	M8	40	45,5	24	18,5	92	13	52	5	38	10
PKCt 78 08 50	78	M8	50	45,5	24	18,5	92	13	52	5	38	10
PKCt 78 10 30	78	M10	30	45,5	24	18,5	92	13	52	5	38	10
PKCt 78 10 40	78	M10	40	45,5	24	18,5	92	13	52	5	38	10
PKCt 78 10 50	78	M10	50	45,5	24	18,5	92	13	52	5	38	10
PKCt 78 10 60	78	M10	60	45,5	24	18,5	92	13	52	5	38	10
PKCt 78 12 30	78	M12	30	45,5	24	18,5	92	13	52	5	38	10
PKCt 78 12 40	78	M12	40	45,5	24	18,5	92	13	52	5	38	10
PKCt 78 12 50	78	M12	50	45,5	24	18,5	92	13	52	5	38	10
PKCt 78 12 60	78	M12	60	45,5	24	18,5	92	13	52	5	38	10

**PKBt** PLASTIC HANDLE BUSHED / Orange

Temperature resistance: -20°C to +100°C



Product Code	R	d	d1	D	L	l1	H	H1	h1	h2	Pckg
PKBt 63 06	63	M6	18,5	24	76	13	45,5	52	5	38	10
PKBt 63 08	63	M8	18,5	24	76	13	45,5	52	5	38	10
PKBt 63 10	63	M10	18,5	24	76	13	45,5	52	5	38	10
PKBt 63 12	63	M12	18,5	24	76	13	45,5	52	5	38	10
PKBt 78 06	78	M6	18,5	24	92	13	45,5	52	5	38	10
PKBt 78 08	78	M8	18,5	24	92	13	45,5	52	5	38	10
PKBt 78 10	78	M10	18,5	24	92	13	45,5	52	5	38	10
PKBt 78 12	78	M12	18,5	24	92	13	45,5	52	5	38	10

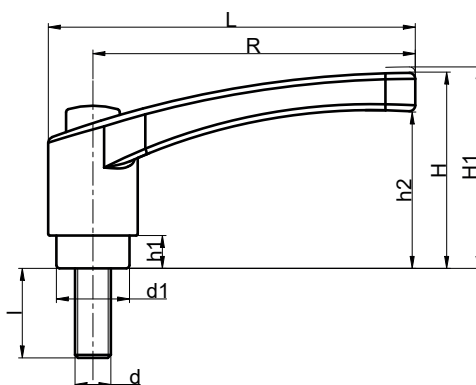
## PKCit

PLASTIC HANDLE BOLTED INOX / Orange

Temperature resistance: -20°C to +100°C



Product Code	R	d	l	H	D	d1	L	l1	H1	h1	h2	Pckg
PKCit 63 06 30	63	M6	30	45,5	24	18,5	76	13	52	5	38	10
PKCit 63 08 30	63	M8	30	45,5	24	18,5	76	13	52	5	38	10
PKCit 63 10 30	63	M10	30	45,5	24	18,5	76	13	52	5	38	10
PKCit 63 12 30	63	M12	30	45,5	24	18,5	76	13	52	5	38	10
PKCit 78 06 30	78	M6	30	45,5	24	18,5	92	13	52	5	38	10
PKCit 78 08 30	78	M8	30	45,5	24	18,5	92	13	52	5	38	10
PKCit 78 10 30	78	M10	30	45,5	24	18,5	92	13	52	5	38	10
PKCit 78 12 30	78	M12	30	45,5	24	18,5	92	13	52	5	38	10



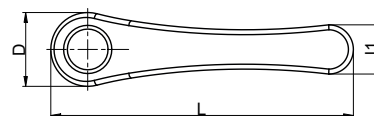
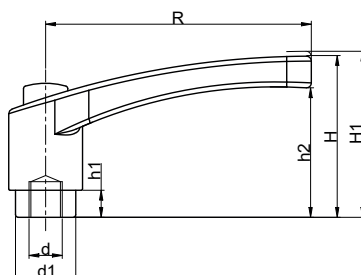
## PKBit

PLASTIC HANDLE BUSEHED INOX / Orange

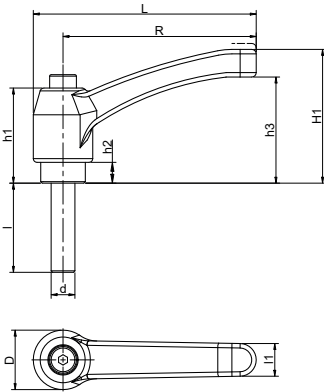
Temperature resistance: -20°C to +100°C



Product Code	R	d	d1	D	L	l1	H	H1	h1	h2	Pckg
PKBit 63 06	63	M6	18,5	24	76	13	45,5	52	5	38	10
PKBit 63 08	63	M8	18,5	24	76	13	45,5	52	5	38	10
PKBit 63 10	63	M10	18,5	24	76	13	45,5	52	5	38	10
PKBit 63 12	63	M12	18,5	24	76	13	45,5	52	5	38	10
PKBit 78 06	78	M6	18,5	24	92	13	45,5	52	5	38	10
PKBit 78 08	78	M8	18,5	24	92	13	45,5	52	5	38	10
PKBit 78 10	78	M10	18,5	24	92	13	45,5	52	5	38	10
PKBit 78 12	78	M12	18,5	24	92	13	45,5	52	5	38	10

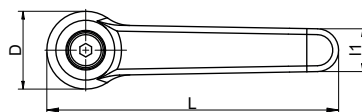
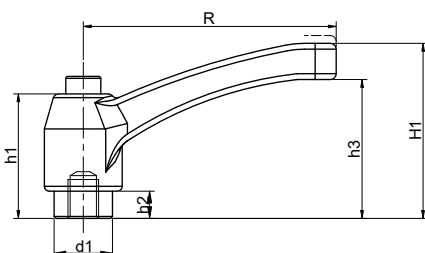


**AKCt** ALUMINIUM HANDLE BOLTED / Orange



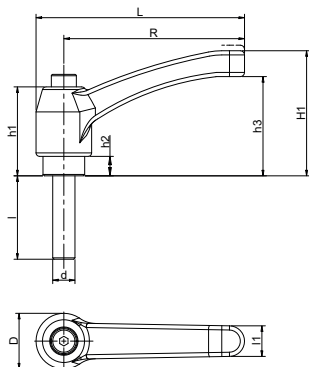
Product Code	R	d	L	D	H	H1	h1	h2	h3	l	Pckg
AKCT 65 05 15	65	M5	75	20	45	49	32	7	35,7	15	10
AKCT 65 05 30	65	M5	75	20	45	49	32	7	35,7	30	10
AKCT 65 06 15	65	M6	75	20	45	49	32	7	35,7	15	10
AKCT 65 06 30	65	M6	75	20	45	49	32	7	35,7	30	10
AKCT 65 06 50	65	M6	75	20	45	49	32	7	35,7	50	10
AKCT 65 08 30	65	M8	75	20	45	49	32	7	35,7	30	10
AKCT 65 08 50	65	M8	75	20	45	49	32	7	35,7	50	10
AKCT 65 10 30	65	M10	75	20	45	49	32	7	35,7	30	10
AKCT 65 10 50	65	M10	75	20	45	49	32	7	35,7	50	10
AKCT 65 12 30	65	M12	75	20	45	49	32	7	35,7	30	10
AKCT 65 12 50	65	M12	75	20	45	49	32	7	35,7	50	10
AKCT 80 06 30	80	M6	91	22	57	61	40	8	45,5	30	10
AKCT 80 06 50	80	M6	91	22	57	61	40	8	45,5	50	10
AKCT 80 08 30	80	M8	91	22	57	61	40	8	45,5	30	10
AKCT 80 08 50	80	M8	91	22	57	61	40	8	45,5	50	10
AKCT 80 10 30	80	M10	91	22	57	61	40	8	45,5	30	10
AKCT 80 10 50	80	M10	91	22	57	61	40	8	45,5	50	10
AKCT 80 12 30	80	M12	91	22	57	61	40	8	45,5	30	10
AKCT 80 12 50	80	M12	91	22	57	61	40	8	45,5	50	10
AKCT 95 12 30	95	M12	108	26	65	69	47	10,5	52	30	10
AKCT 95 12 50	95	M12	108	26	65	69	47	10,5	52	50	10
AKCT 95 14 40	95	M14	108	26	65	69	47	10,5	52	40	10
AKCT 95 14 60	95	M14	108	26	65	69	47	10,5	52	60	10
AKCT 95 16 40	95	M16	108	26	65	69	47	10,5	52	40	10
AKCT 95 16 60	95	M16	108	26	65	69	47	10,5	52	60	10

**AKBt** ALUMINIUM HANDLE BUSHED / Orange



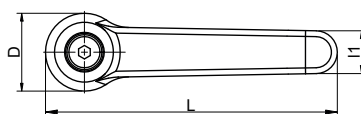
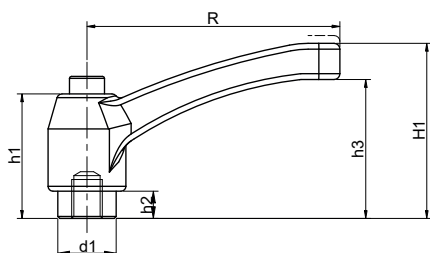
Product Code	R	d	d1	L	D	H	H1	h1	h2	h3	Pckg
AKBT 65 06	65	M6	15	75	20	45	49	32	7	35,7	10
AKBT 65 08	65	M8	15	75	20	45	49	32	7	35,7	10
AKBT 65 10	65	M10	15	75	20	45	49	32	7	35,7	10
AKBT 80 06	80	M6	17	91	22	57	61	40	8	45,5	10
AKBT 80 08	80	M8	17	91	22	57	61	40	8	45,5	10
AKBT 80 10	80	M10	17	91	22	57	61	40	8	45,5	10
AKBT 80 12	80	M12	17	91	22	57	61	40	8	45,5	10
AKBT 95 12	95	M12	21	108	26	65	69	47	10,5	52	10
AKBT 95 14	95	M14	21	108	26	65	69	47	10,5	52	10
AKBT 95 16	95	M16	21	108	26	65	69	47	10,5	52	10

**AKC** ALUMINIUM HANDLE BOLTED



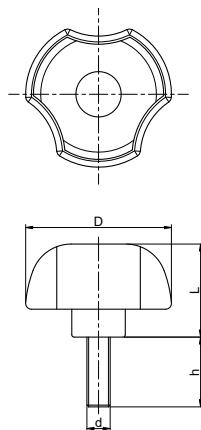
Product Code	R	d	L	D	H	H1	h1	h2	h3	l	Pckg
AKC 65 05 15	65	M5	75	20	45	49	32	7	35,7	15	10
AKC 65 05 30	65	M5	75	20	45	49	32	7	35,7	30	10
AKC 65 06 15	65	M6	75	20	45	49	32	7	35,7	15	10
AKC 65 06 30	65	M6	75	20	45	49	32	7	35,7	30	10
AKC 65 06 50	65	M6	75	20	45	49	32	7	35,7	50	10
AKC 65 08 30	65	M8	75	20	45	49	32	7	35,7	30	10
AKC 65 08 50	65	M8	75	20	45	49	32	7	35,7	50	10
AKC 65 10 30	65	M10	75	20	45	49	32	7	35,7	30	10
AKC 65 10 50	65	M10	75	20	45	49	32	7	35,7	50	10
AKC 65 12 30	65	M12	75	20	45	49	32	7	35,7	30	10
AKC 65 12 50	65	M12	75	20	45	49	32	7	35,7	50	10
AKC 80 06 30	80	M6	91	22	57	61	40	8	45,5	30	10
AKC 80 06 50	80	M6	91	22	57	61	40	8	45,5	50	10
AKC 80 08 30	80	M8	91	22	57	61	40	8	45,5	30	10
AKC 80 08 50	80	M8	91	22	57	61	40	8	45,5	50	10
AKC 80 10 30	80	M10	91	22	57	61	40	8	45,5	30	10
AKC 80 10 50	80	M10	91	22	57	61	40	8	45,5	50	10
AKC 80 12 30	80	M12	91	22	57	61	40	8	45,5	30	10
AKC 80 12 50	80	M12	91	22	57	61	40	8	45,5	50	10
AKC 95 12 30	95	M12	108	26	65	69	47	10,5	52	30	10
AKC 95 12 50	95	M12	108	26	65	69	47	10,5	52	50	10
AKC 95 14 40	95	M14	108	26	65	69	47	10,5	52	40	10
AKC 95 14 60	95	M14	108	26	65	69	47	10,5	52	60	10
AKC 95 16 40	95	M16	108	26	65	69	47	10,5	52	40	10
AKC 95 16 60	95	M16	108	26	65	69	47	10,5	52	60	10

**AKB** ALUMINIUM HANDLE BUSHED



Product Code	R	d	d1	L	D	H	H1	h1	h2	h3	Pckg
AKB 65 06	65	M6	15	75	20	45	49	32	7	35,7	10
AKB 65 08	65	M8	15	75	20	45	49	32	7	35,7	10
AKB 65 10	65	M10	15	75	20	45	49	32	7	35,7	10
AKB 80 06	80	M6	17	91	22	57	61	40	8	45,5	10
AKB 80 08	80	M8	17	91	22	57	61	40	8	45,5	10
AKB 80 10	80	M10	17	91	22	57	61	40	8	45,5	10
AKB 80 12	80	M12	17	91	22	57	61	40	8	45,5	10
AKB 95 12	95	M12	21	108	26	65	69	47	10,5	52	10
AKB 95 14	95	M14	21	108	26	65	69	47	10,5	52	10
AKB 95 16	95	M16	21	108	26	65	69	47	10,5	52	10

**PYct** PLASTIC KNOB BOLTED / Orange

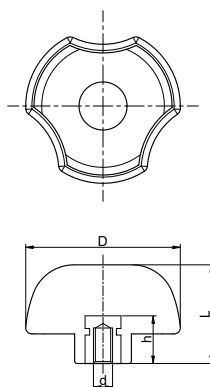


 RAL 2004 Orange

Temperature resistance: -20°C to +100°C

Product Code	D	d	h	Pckg
PYct 40 06 15	40	M06	15	25
PYct 40 06 20	40	M06	20	25
PYct 40 06 30	40	M06	30	25
PYct 40 06 40	40	M06	40	25
PYct 40 08 20	40	M08	20	25
PYct 40 08 30	40	M08	30	25
PYct 40 08 40	40	M08	40	25
PYct 40 10 20	40	M10	20	25
PYct 40 10 30	40	M10	30	25
PYct 40 10 40	40	M10	40	25
PYct 40 10 50	40	M10	50	25
PYct 50 08 20	50	M08	20	25
PYct 50 08 30	50	M08	30	25
PYct 50 08 40	50	M08	40	25
PYct 50 10 20	50	M10	20	25
PYct 50 10 30	50	M10	30	25
PYct 50 10 40	50	M10	40	25
PYct 50 10 50	50	M10	50	25
PYct 63 10 20	63	M10	20	25
PYct 63 10 30	63	M10	30	25
PYct 63 10 40	63	M10	40	25
PYct 63 10 50	30	M10	50	25
PYct 63 12 40	63	M12	40	25
PYct 63 16 50	63	M16	50	25

**PYBt** PLASTIC KNOB BUSHED / Orange



 RAL 2004 Orange

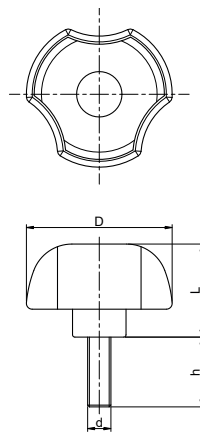
Temperature resistance: -20°C to +100°C

Product Code	D	d	h	Pckg
PYBt 40 06	40	M06	10	25
PYBt 40 08	40	M08	14	25
PYBt 40 10	40	M10	17	25
PYBt 50 08	50	M08	14	25
PYBt 50 10	50	M10	17	25
PYBt 63 10	63	M10	17	25
PYBt 63 12	63	M12	19	25
PYBt 63 16	63	M16	27	25

**PYC** PLASTIC KNOB BOLTED



■ RAL 7021 Black



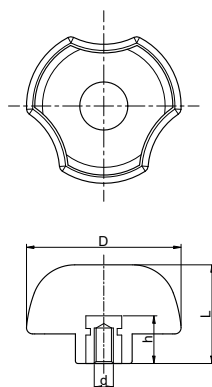
Temperature resistance: -20°C to +100°C

Product Code	D	d	h	Pckg
PYC 40 06 15	40	M06	15	25
PYC 40 06 20	40	M06	20	25
PYC 40 06 30	40	M06	30	25
PYC 40 06 40	40	M06	40	25
PYC 40 08 20	40	M08	20	25
PYC 40 08 30	40	M08	30	25
PYC 40 08 40	40	M08	40	25
PYC 40 10 20	40	M10	20	25
PYC 40 10 30	40	M10	30	25
PYC 40 10 40	40	M10	40	25
PYC 40 10 50	40	M10	50	25
PYC 50 08 20	50	M08	20	25
PYC 50 08 30	50	M08	30	25
PYC 50 08 40	50	M08	40	25
PYC 50 10 20	50	M10	20	25
PYC 50 10 30	50	M10	30	25
PYC 50 10 40	50	M10	40	25
PYC 50 10 50	50	M10	50	25
PYC 63 10 20	63	M10	20	25
PYC 63 10 30	63	M10	30	25
PYC 63 10 40	63	M10	40	25
PYC 63 10 50	63	M10	50	25
PYC 63 12 40	63	M12	40	25
PYC 63 16 50	63	M16	50	25

**PYB** PLASTIC KNOB BUSHED



■ RAL 7021 Black



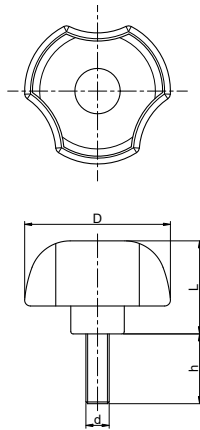
Temperature resistance: -20°C to +100°C

Product Code	D	d	h	Pckg
PYB 40 06	40	M06	10	25
PYB 40 08	40	M08	14	25
PYB 40 10	40	M10	17	25
PYB 50 08	50	M08	14	25
PYB 50 10	50	M10	17	25
PYB 63 10	63	M10	17	25
PYB 63 12	63	M12	19	25
PYB 63 16	63	M16	27	25



# PYck

PLASTIC KNOB BOLTED / Red



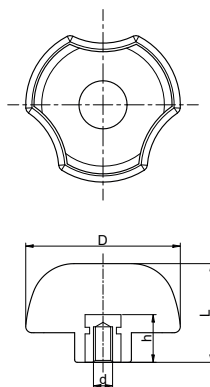
 RAL 3000 Red

Temperature resistance: -20°C to +100°C

Product Code	D	d	h	Pckg
PYck 40 06 15	40	M06	15	25
PYck 40 06 20	40	M06	20	25
PYck 40 06 30	40	M06	30	25
PYck 40 06 40	40	M06	40	25
PYck 40 08 20	40	M08	20	25
PYck 40 08 30	40	M08	30	25
PYck 40 08 40	40	M08	40	25
PYck 40 10 20	40	M10	20	25
PYck 40 10 30	40	M10	30	25
PYck 40 10 40	40	M10	40	25
PYck 40 10 50	40	M10	50	25
PYck 50 08 20	50	M08	20	25
PYck 50 08 30	50	M08	30	25
PYck 50 08 40	50	M08	40	25
PYck 50 10 20	50	M10	20	25
PYck 50 10 30	50	M10	30	25
PYck 50 10 40	50	M10	40	25
PYck 50 10 50	50	M10	50	25
PYck 63 10 20	63	M10	20	25
PYck 63 10 30	63	M10	30	25
PYck 63 10 40	63	M10	40	25
PYck 63 10 50	63	M10	50	25
PYck 63 12 40	63	M12	40	25
PYck 63 16 50	63	M16	50	25

# PYBk

PLASTIC KNOB BUSHED / Red



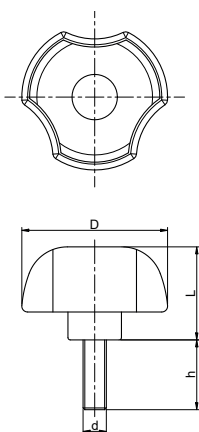
 RAL 3000 Red

Temperature resistance: -20°C to +100°C

Product Code	D	d	h	Pckg
PYBk 40 06	40	M06	10	25
PYBk 40 08	40	M08	14	25
PYBk 40 10	40	M10	17	25
PYBk 50 08	50	M08	14	25
PYBk 50 10	50	M10	17	25
PYBk 63 10	63	M10	17	25
PYBk 63 12	63	M12	19	25
PYBk 63 16	63	M16	27	25

**PYCP** PLASTIC KNOB BOLTED

Temperature resistance: -20°C to +100°C

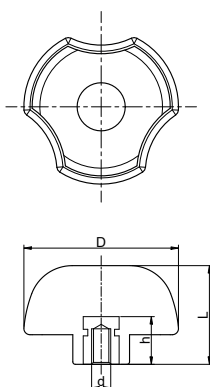


■ RAL 7021Black

Product Code	D	d	h	Pckg
PYCP 40 06 15	40	M06	15	25
PYCP 40 06 20	40	M06	20	25
PYCP 40 06 30	40	M06	30	25
PYCP 40 06 40	40	M06	40	25
PYCP 40 08 20	40	M08	20	25
PYCP 40 08 30	40	M08	30	25
PYCP 40 08 40	40	M08	40	25
PYCP 40 10 20	40	M10	20	25
PYCP 40 10 30	40	M10	30	25
PYCP 40 10 40	40	M10	40	25
PYCP 40 10 50	40	M10	50	25
PYCP 50 08 20	50	M08	20	25
PYCP 50 08 30	50	M08	30	25
PYCP 50 08 40	50	M08	40	25
PYCP 50 10 20	50	M10	20	25
PYCP 50 10 30	50	M10	30	25
PYCP 50 10 40	50	M10	40	25
PYCP 50 10 50	50	M10	50	25
PYCP 63 10 20	63	M10	20	25
PYCP 63 10 30	63	M10	30	25
PYCP 63 10 40	63	M10	40	25
PYCP 63 10 50	63	M10	50	25
PYCP 63 12 40	63	M12	40	25
PYCP 63 16 50	63	M16	50	25

**PYBP** PLASTIC KNOB BUSHED

Temperature resistance: -20°C to +100°C

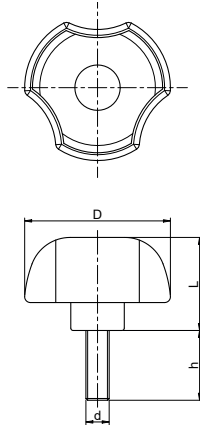
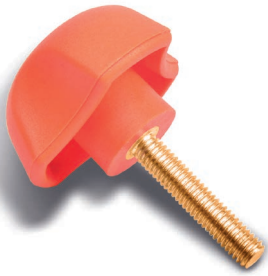


■ RAL 7021 Black

Product Code	D	d	h	Pckg
PYBP 40 06	40	M06	10	25
PYBP 40 08	40	M08	14	25
PYBP 40 10	40	M10	17	25
PYBP 50 08	50	M08	14	25
PYBP 50 10	50	M10	17	25
PYBP 63 10	63	M10	17	25
PYBP 63 12	63	M12	19	25
PYBP 63 16	63	M16	27	25

**PYCPt** PLASTIC KNOB BOLTED / Orange

Temperature resistance: -20°C to +100°C

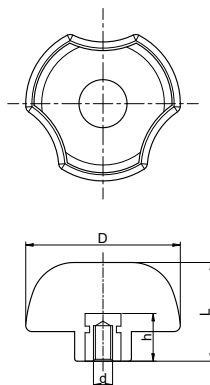


 RAL 2004 Orange

Product Code	D	d	h	Pckg
PYCPt 40 06 15	40	M06	15	25
PYCPt 40 06 20	40	M06	20	25
PYCPt 40 06 30	40	M06	30	25
PYCPt 40 06 40	40	M06	40	25
PYCPt 40 08 20	40	M08	20	25
PYCPt 40 08 30	40	M08	30	25
PYCPt 40 08 40	40	M08	40	25
PYCPt 40 10 20	40	M10	20	25
PYCPt 40 10 30	40	M10	30	25
PYCPt 40 10 40	40	M10	40	25
PYCPt 40 10 50	40	M10	50	25
PYCPt 50 08 20	50	M08	20	25
PYCPt 50 08 30	50	M08	30	25
PYCPt 50 08 40	50	M08	40	25
PYCPt 50 10 20	50	M10	20	25
PYCPt 50 10 30	50	M10	30	25
PYCPt 50 10 40	50	M10	40	25
PYCPt 50 10 50	50	M10	50	25
PYCPt 63 10 20	63	M10	20	25
PYCPt 63 10 30	63	M10	30	25
PYCPt 63 10 40	63	M10	40	25
PYCPt 63 10 50	63	M10	50	25
PYCPt 63 12 40	63	M12	40	25
PYCPt 63 16 50	63	M16	50	25

**PYBPt** PLASTIC KNOB BUSHED / Orange

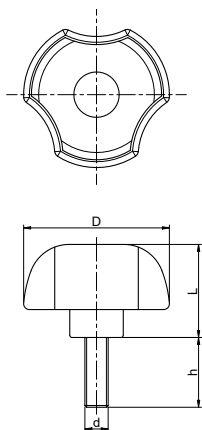
Temperature resistance: -20°C to +100°C



 RAL 2004 Orange

Product Code	D	d	h	Pckg
PYBPt 40 06	40	M06	10	25
PYBPt 40 08	40	M08	14	25
PYBPt 40 10	40	M10	17	25
PYBPt 50 08	50	M08	14	25
PYBPt 50 10	50	M10	17	25
PYBPt 63 10	63	M10	17	25
PYBPt 63 12	63	M12	19	25
PYBPt 63 16	63	M16	27	25

**PYCPk** PLASTIC KNOB BOLTED / Red

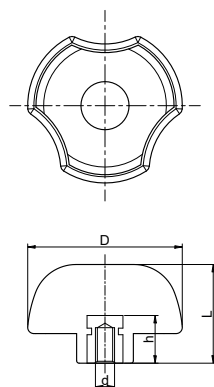


 RAL 3000 Red

Temperature resistance: -20°C to +100°C

Product Code	D	d	h	Pckg
PYCPk 40 06 15	40	M06	15	25
PYCPk 40 06 20	40	M06	20	25
PYCPk 40 06 30	40	M06	30	25
PYCPk 40 06 40	40	M06	40	25
PYCPk 40 08 20	40	M08	20	25
PYCPk 40 08 30	40	M08	30	25
PYCPk 40 08 40	40	M08	40	25
PYCPk 40 10 20	40	M10	20	25
PYCPk 40 10 30	40	M10	30	25
PYCPk 40 10 40	40	M10	40	25
PYCPk 40 10 50	40	M10	50	25
PYCPk 50 08 20	50	M08	20	25
PYCPk 50 08 30	50	M08	30	25
PYCPk 50 08 40	50	M08	40	25
PYCPk 50 10 20	50	M10	20	25
PYCPk 50 10 30	50	M10	30	25
PYCPk 50 10 40	50	M10	40	25
PYCPk 50 10 50	50	M10	50	25
PYCPk 63 10 20	63	M10	20	25
PYCPk 63 10 30	63	M10	30	25
PYCPk 63 10 40	63	M10	40	25
PYCPk 63 10 50	63	M10	50	25
PYCPk 63 12 40	63	M12	40	25
PYCPk 63 16 50	63	M16	50	25

**PYBPk** PLASTIC KNOB BUSHED / Red



 RAL 3000 Red

Temperature resistance: -20°C to +100°C

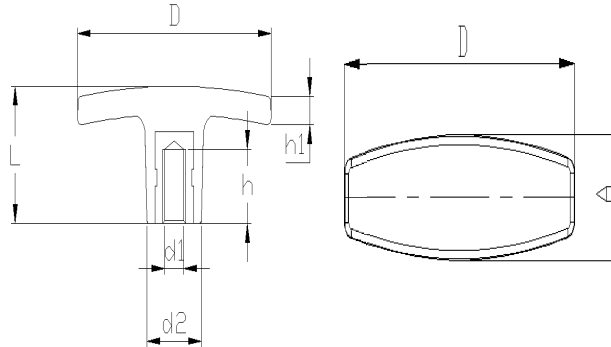
Product Code	D	d	h	Pckg
PYBPk 40 06	40	M06	10	25
PYBPk 40 08	40	M08	14	25
PYBPk 40 10	40	M10	17	25
PYBPk 50 08	50	M08	14	25
PYBPk 50 10	50	M10	17	25
PYBPk 63 10	63	M10	17	25
PYBPk 63 12	63	M12	19	25
PYBPk 63 16	63	M16	27	25

**PETKB** PLASTIC INDUSTRIAL HANDLE BUSHED

Temperature resistance: -20°C to +100°C

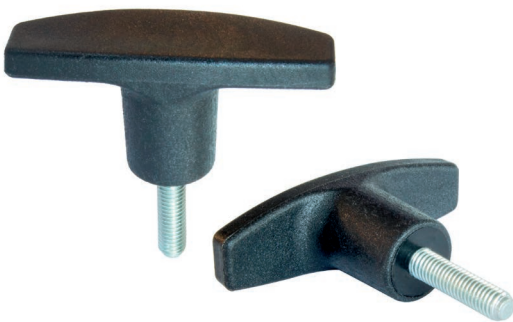


Product Code	D	L	A	h	h1	d1	d2	Pckg
PETKB 50 05	50	24	15	15	5	M5	14	50
PETKB 50 06	50	24	15	15	5	M6	14	50
PETKB 71 08	71	35	23	25	9	M8	22	50
PETKB 71 10	71	35	23	25	9	M10	22	50
PETKB 71 12	71	35	23	25	9	M12	22	50

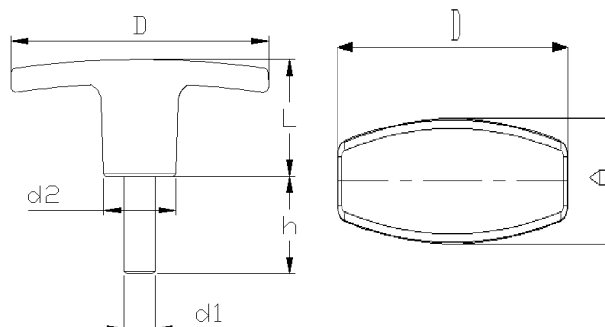


**PETKC** PLASTIC INDUSTRIAL HANDLE BOLTED

Temperature resistance: -20°C to +100°C



Product Code	D	d1	d2	H	L	h	Pckg
PETKC 50 05 20	50	24	15	20	M5	14	50
PETKC 50 05 30	50	24	15	30	M5	14	50
PETKC 50 06 20	50	24	15	20	M6	14	50
PETKC 50 06 30	50	24	15	30	M6	14	50
PETKC 71 08 20	71	35	23	20	M8	22	50
PETKC 71 08 30	71	35	23	30	M8	22	50
PETKC 71 08 40	71	35	23	40	M8	22	50
PETKC 71 10 30	71	35	23	30	M10	22	50
PETKC 71 10 40	71	35	23	40	M10	22	50
PETKC 71 10 50	71	35	23	50	M10	22	50
PETKC 71 12 30	71	35	23	30	M12	22	50
PETKC 71 12 40	71	35	23	40	M12	22	50
PETKC 71 12 50	71	35	23	50	M12	22	50

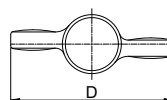
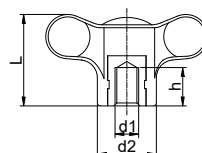


**PTB2** PLASTIC KNOB BUSHED / 2



Temperature resistance: -20°C to +100°C

Product Code	D	d1	d2	h	L	Pckg
<b>PTB2 55 05</b>	55	M5	20	13	31	25
<b>PTB2 55 06</b>	55	M6	20	13	31	25
<b>PTB2 55 08</b>	55	M8	20	17	31	25
<b>PTB2 70 08</b>	70	M8	22	17	35	25
<b>PTB2 70 10</b>	70	M10	22	17	35	25

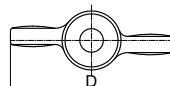
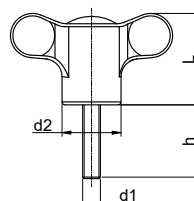


**PTC2** PLASTIC KNOB BOLTED / 2



Temperature resistance: -20°C to +100°C

Product Code	D	d1	d2	h	L	Pckg
<b>PTC2 55 06 25</b>	55	M6	20	25	31	25
<b>PTC2 55 06 40</b>	55	M6	20	40	31	25
<b>PTC2 55 06 50</b>	55	M6	20	50	31	25
<b>PTC2 55 08 25</b>	55	M8	20	25	31	25
<b>PTC2 55 08 40</b>	55	M8	20	40	31	25
<b>PTC2 55 08 50</b>	55	M8	20	50	31	25
<b>PTC2 55 10 25</b>	55	M10	20	25	31	25
<b>PTC2 55 10 40</b>	55	M10	20	40	31	25
<b>PTC2 55 10 50</b>	55	M10	20	50	31	25
<b>PTC2 70 08 30</b>	70	M8	22	30	35	25
<b>PTC2 70 08 40</b>	70	M8	22	40	35	25
<b>PTC2 70 08 50</b>	70	M8	22	50	35	25
<b>PTC2 70 10 25</b>	70	M10	22	25	35	25
<b>PTC2 70 10 40</b>	70	M10	22	40	35	25
<b>PTC2 70 10 50</b>	70	M10	22	50	35	25
<b>PTC2 70 12 30</b>	70	M12	22	30	35	25
<b>PTC2 70 12 40</b>	70	M12	22	40	35	25
<b>PTC2 70 12 50</b>	70	M12	22	50	35	25

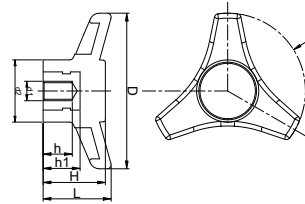


**PTB3** PLASTIC KNOB BUSHED / 3



Temperature resistance: -20°C to +100°C

Product Code	D	d1	d2	H	L	h	h1	Pckg
<b>PTB3 80 10</b>	80	M10	32	30	35	15	19	25
<b>PTB3 80 12</b>	80	M12	32	30	35	20	24	25
<b>PTB3 10 12</b>	100	M12	36	37	42	20	24	25
<b>PTB3 10 14</b>	100	M14	36	37	42	25	29	25
<b>PTB3 10 16</b>	100	M16	36	37	42	25	29	25

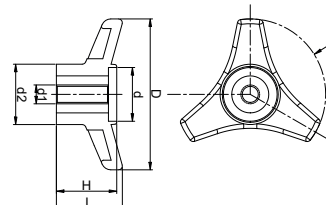


**PTB3d** PLASTIC KNOB BUSHED / 3



Temperature resistance: -20°C to +100°C

Product Code	D	d	d1	d2	H	L	Pckg
<b>PTB3d 80 10</b>	80	28,5	M10	32	30	35	25
<b>PTB3d 80 12</b>	80	28,5	M12	32	30	35	25
<b>PTB3d 10 12</b>	100	28,5	M12	36	37	42	25
<b>PTB3d 10 14</b>	100	28,5	M14	36	37	42	25
<b>PTB3d 10 16</b>	100	28,5	M16	36	37	42	25

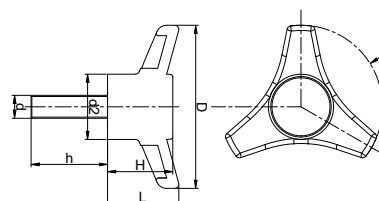


**PTC3** PLASTIC KNOB BOLTED / 3



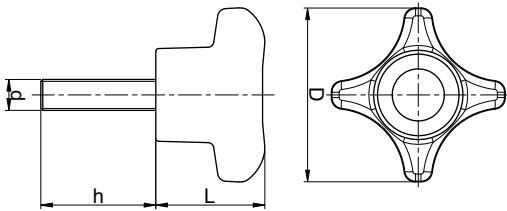
Temperature resistance: -20°C to +100°C

Product Code	D	d1	d2	H	L	h	Pckg
<b>PTC3 80 10 30</b>	80	M10	32	30	35	30	25
<b>PTC3 80 10 50</b>	80	M10	32	30	35	50	25
<b>PTC3 80 12 30</b>	80	M12	32	30	35	30	25
<b>PTC3 80 12 50</b>	80	M12	32	30	35	50	25
<b>PTC3 10 12 30</b>	100	M12	36	37	42	30	25
<b>PTC3 10 12 50</b>	100	M12	36	37	42	50	25
<b>PTC3 10 14 30</b>	100	M14	36	37	42	30	25
<b>PTC3 10 14 50</b>	100	M14	36	37	42	50	25
<b>PTC3 10 16 30</b>	100	M16	36	37	42	30	25
<b>PTC3 10 16 50</b>	100	M16	36	37	42	50	25



**PTC4** PLASTIC KNOB BOLTED / 4

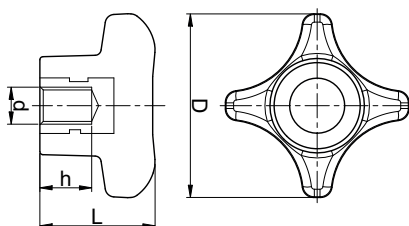
Temperature resistance: -20°C to +100°C



Product Code	D	d	h	L	Pckg
<b>PTC4 30 06 15</b>	30	M6	15	24	25
<b>PTC4 30 06 20</b>	30	M6	20	24	25
<b>PTC4 30 06 30</b>	30	M6	30	24	25
<b>PTC4 30 06 40</b>	30	M6	40	24	25
<b>PTC4 30 08 20</b>	30	M8	20	24	25
<b>PTC4 30 08 30</b>	30	M8	30	24	25
<b>PTC4 30 08 40</b>	30	M8	40	24	25
<b>PTC4 60 08 20</b>	60	M8	20	34	25
<b>PTC4 60 08 30</b>	60	M8	30	34	25
<b>PTC4 60 08 40</b>	60	M8	40	34	25
<b>PTC4 60 10 20</b>	60	M10	20	34	25
<b>PTC4 60 10 30</b>	60	M10	30	34	25
<b>PTC4 60 10 40</b>	60	M10	40	34	25
<b>PTC4 60 10 50</b>	60	M10	50	34	25
<b>PTC4 60 12 40</b>	60	M12	40	34	25

**PTB4** PLASTIC KNOB BUSHED / 4

Temperature resistance: -20°C to +100°C



Product Code	D	d	h	L	Pckg
<b>PTB4 30 06</b>	30	M6	10	24	25
<b>PTB4 30 08</b>	30	M8	14	24	25
<b>PTB4 60 08</b>	60	M8	14	34	25
<b>PTB4 60 10</b>	60	M10	17	34	25
<b>PTB4 60 12</b>	60	M12	19	34	25

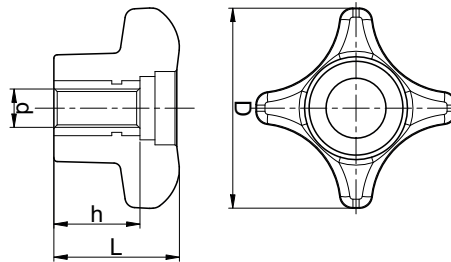


**PTB4d** PLASTIC KNOB BUSHED / 4



Temperature resistance: -20°C to +100°C

Product Code	D	d	h	L	Pckg
<b>PTB4d 60 08</b>	60	M8	14	34	25
<b>PTB4d 60 10</b>	60	M10	17	34	25
<b>PTB4d 60 12</b>	60	M12	19	34	25

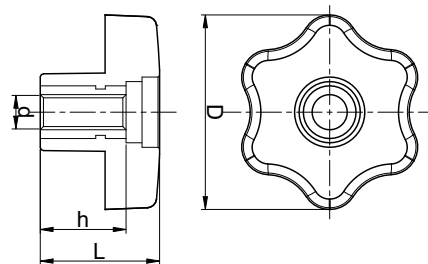


**PTB6d** PLASTIC KNOB BUSHED / 6

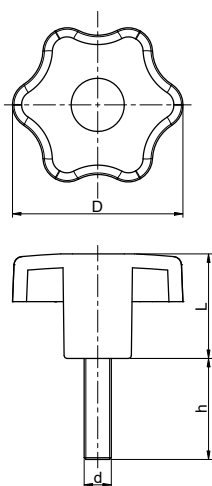


Temperature resistance: -20°C to +100°C

Product Code	D	d	h	L	Pckg
<b>PTB6d 63 08</b>	63	M8	14	34	25
<b>PTB6d 63 10</b>	63	M10	17	34	25
<b>PTB6d 63 12</b>	63	M12	19	34	25



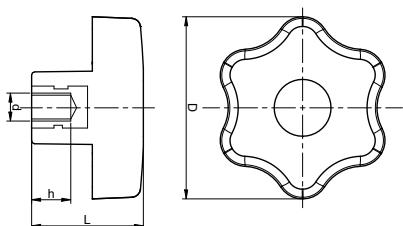
**PTC6** PLASTIC KNOB BOLTED / 6



Temperature resistance: -20°C to +100°C

Product Code	D	d	h	L	Pckg
PTC6 30 06 15	30	M6	15	22	25
PTC6 30 06 20	30	M6	20	22	25
PTC6 30 06 30	30	M6	30	22	25
PTC6 30 06 40	30	M6	40	22	25
PTC6 30 08 20	30	M8	20	22	25
PTC6 30 08 30	30	M8	30	22	25
PTC6 30 08 40	30	M8	40	22	25
PTC6 40 06 15	40	M6	15	24	25
PTC6 40 06 20	40	M6	20	24	25
PTC6 40 06 30	40	M6	30	24	25
PTC6 40 06 40	40	M6	40	24	25
PTC6 40 08 20	40	M8	20	24	25
PTC6 40 08 30	40	M8	30	24	25
PTC6 40 08 40	40	M8	40	24	25
PTC6 40 10 20	40	M10	20	24	25
PTC6 40 10 30	40	M10	30	24	25
PTC6 40 10 40	40	M10	40	24	25
PTC6 40 10 50	40	M10	50	24	25
PTC6 63 08 20	63	M8	20	34	25
PTC6 63 08 30	63	M8	30	34	25
PTC6 63 08 40	63	M8	40	34	25
PTC6 63 10 20	63	M10	20	34	25
PTC6 63 10 30	63	M10	30	34	25
PTC6 63 10 40	63	M10	40	34	25
PTC6 63 10 50	63	M10	50	34	25
PTC6 63 12 40	63	M12	40	34	25

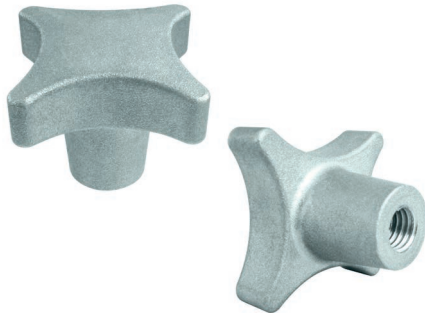
**PTB6** PLASTIC KNOB BUSHED / 6



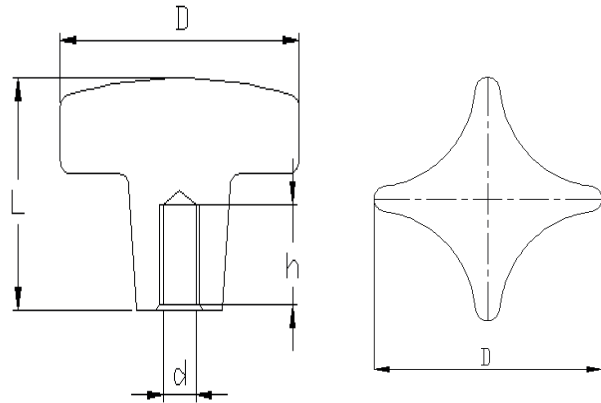
Temperature resistance: -20°C to +100°C

Product Code	D	d	h	L	Pckg
PTB6 30 06	30	M6	10	22	25
PTB6 30 08	30	M8	14	22	25
PTB6 40 06	40	M6	10	24	25
PTB6 40 08	40	M8	14	24	25
PTB6 40 10	40	M10	15	24	25
PTB6 63 08	63	M8	14	34	25
PTB6 63 10	63	M10	17	34	25
PTB6 63 12	63	M12	19	34	25

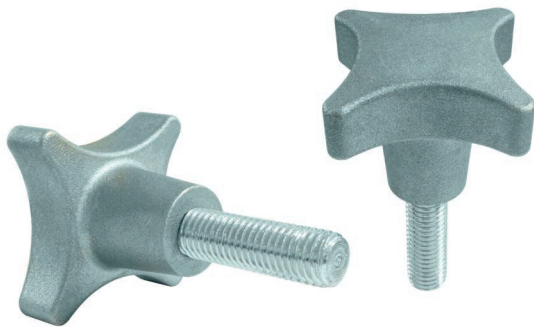
**ATB4** ALUMINIUM KNOB 4 BUSHED



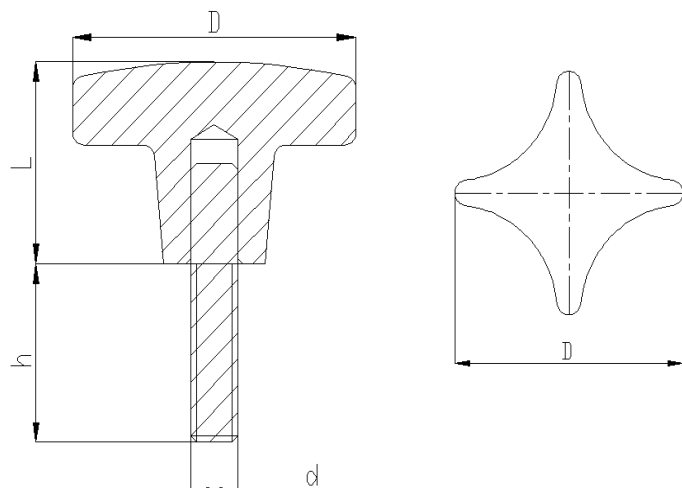
Product Code	D	d	h	L	Pckg
<b>ATB4 40 08</b>	40	M8	14	26	4
<b>ATB4 50 10</b>	50	M10	17	34	4
<b>ATB4 63 12</b>	63	M12	17	42	4



**ATC4** ALUMINIUM KNOB 4 BOLTED



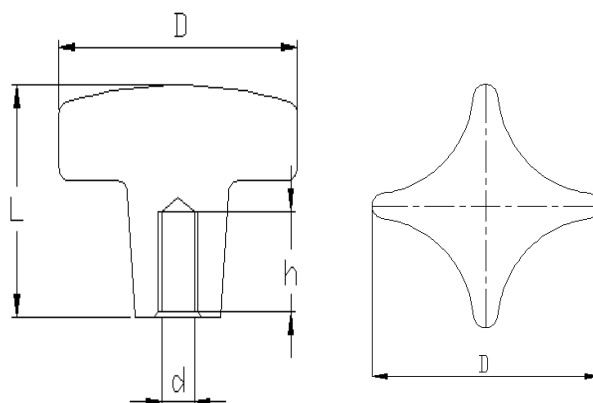
Product Code	D	d	h	L	Pckg
<b>ATC4 40 08 20</b>	40	M8	20	26	4
<b>ATC4 40 08 30</b>	40	M8	30	26	4
<b>ATC4 40 08 40</b>	40	M8	40	26	4
<b>ATC4 50 10 20</b>	50	M10	20	34	4
<b>ATC4 50 10 30</b>	50	M10	30	34	4
<b>ATC4 50 10 40</b>	50	M10	40	34	4
<b>ATC4 63 12 20</b>	63	M12	20	42	4
<b>ATC4 63 12 30</b>	63	M12	30	42	4
<b>ATC4 63 12 40</b>	63	M12	40	42	4



**ATB4p** ALUMINIUM KNOB 4 BUSHED



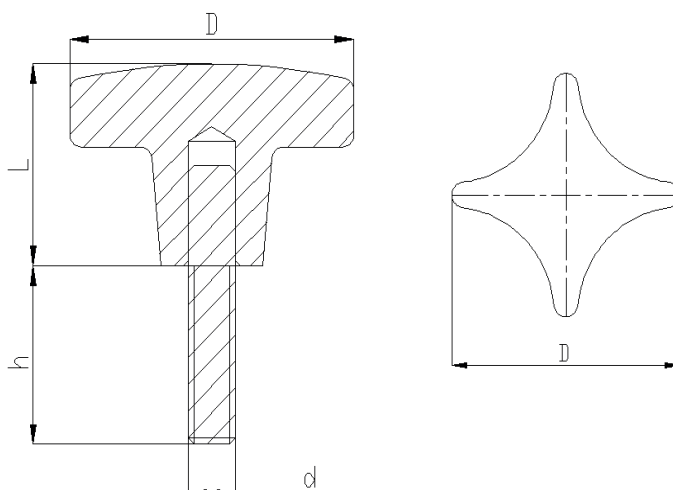
Product Code	D	d	h	L	Pckg
<b>ATB4p 40 08</b>	40	M8	14	26	4
<b>ATB4p 50 10</b>	50	M10	17	34	4
<b>ATB4p 63 12</b>	63	M12	17	42	4



**ATC4p** ALUMINIUM KNOB 4 BOLTED



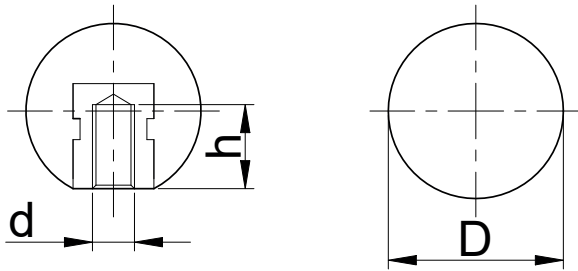
Product Code	D	d	h	L	Pckg
<b>ATC4p 40 08 20</b>	40	M8	20	26	4
<b>ATC4p 40 08 30</b>	40	M8	30	26	4
<b>ATC4p 40 08 40</b>	40	M8	40	26	4
<b>ATC4p 50 10 20</b>	50	M10	20	34	4
<b>ATC4p 50 10 30</b>	50	M10	30	34	4
<b>ATC4p 50 10 40</b>	50	M10	40	34	4
<b>ATC4p 63 12 20</b>	63	M12	20	42	4
<b>ATC4p 63 12 30</b>	63	M12	30	42	4
<b>ATC4p 63 12 40</b>	63	M12	40	42	4



**PTBy**

PLASTIC BALL BUSHED

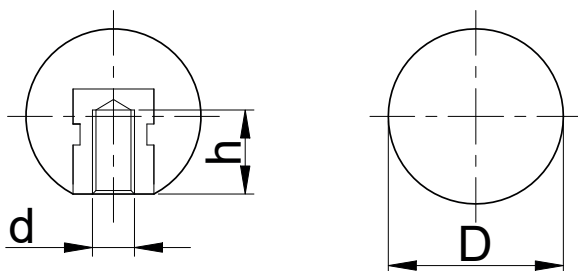
Temperature resistance: -20°C to +100°C



Product Code	D	d	h	Pckg
PTBY 30 06 11	30	M6	11	100
PTBY 30 08 15	30	M8	15	100
PTBY 30 10 17	30	M10	17	100
PTBY 40 08 15	40	M8	15	50
PTBY 40 10 17	40	M10	17	50
PTBY 40 12 22	40	M12	22	50
PTBY 50 10 17	50	M10	17	50
PTBY 50 12 22	50	M12	22	50
PTBY 50 14	50	M14		50
PTBY 50 16	50	M16		50

**BTB**

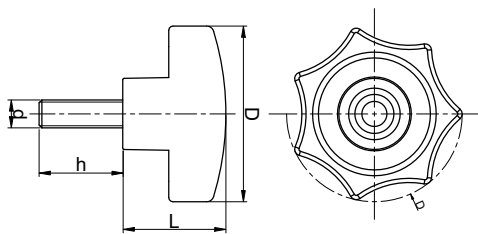
BAKALITE BALL BUSHED



Product Code	D	d	h	Pckg
BTB 25 05 11	25	M5	11	100
BTB 25 06 11	25	M6	11	100
BTB 25 08 15	25	M8	15	100
BTB 30 06 11	30	M6	11	100
BTB 30 08 15	30	M8	15	100
BTB 30 10 17	30	M10	17	100
BTB 35 08 15	35	M8	15	50
BTB 35 10 17	35	M10	17	50
BTB 40 08 15	40	M8	15	50
BTB 40 10 17	40	M10	17	50
BTB 40 12 22	40	M12	22	50

RAL 9005 Bright Black  
Zinc Plated Bushing / Iron Bolt  
Resistant to Oils, Greases and Solvents  
-30°C to +120°C

**BKC** BAKALITE KNOB BOLTED

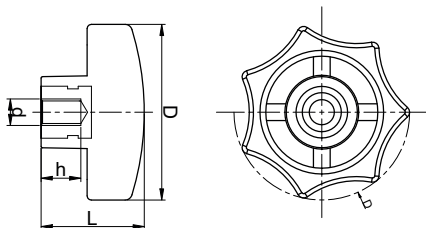


Product Code	D	d	h	L	Pckg
BKC 20 05 13	20	M5	13	15	100
BKC 20 06 10	20	M6	10	15	100
BKC 30 06 15	30	M6	15	27	100
BKC 30 08 15	30	M8	15	27	100
BKC 40 06 15	40	M6	15	28	50
BKC 40 06 20	40	M6	20	28	50
BKC 40 08 15	40	M8	15	28	50
BKC 40 08 20	40	M8	20	28	50
BKC 40 08 50	40	M8	50	28	50
BKC 40 10 20	40	M10	20	28	50
BKC 50 08 25	50	M8	25	32	50
BKC 50 10 25	50	M10	25	32	50
BKC 50 10 30	50	M10	30	32	50
BKC 63 08 25	63	M8	25	37	50
BKC 63 10 30	63	M10	30	37	50
BKC 63 12 30	63	M12	30	37	50
BKC 63 12 35	63	M12	35	37	50
BKC 70 10 35	70	M10	35	40	50
BKC 70 12 35	70	M12	35	40	50

Special dimensions are available upon request.

RAL 9005 Bright Black  
Zinc Plated Bushing / Iron Bolt  
Resistant to Oils, Greases and Solvents  
-30°C to +120°C

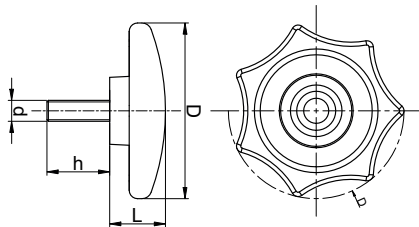
**BKB** BAKALITE KNOB BUSHED



Product Code	D	d	h	L	Pckg
BKB 20 05 11	20	M5	11	15	100
BKB 20 06 11	20	M6	11	15	100
BKB 30 06 11	30	M6	11	27	100
BKB 30 08 15	30	M8	15	27	100
BKB 40 06 11	40	M6	11	28	50
BKB 40 08 15	40	M8	15	28	50
BKB 40 08 20	40	M8	20	28	50
BKB 40 10 17	40	M10	17	28	50
BKB 50 08 15	50	M8	15	32	50
BKB 50 10 17	50	M10	17	32	50
BKB 63 08 15	63	M8	15	37	50
BKB 63 10 17	63	M10	17	37	50
BKB 63 12 22	63	M12	22	37	50
BKB 70 10 17	70	M10	17	40	50
BKB 70 12 22	70	M12	22	40	50

RAL 9005 Bright Black  
Zinc Plated Bushing / Iron Bolt  
Resistant to Oils, Greases and Solvents  
-30°C to +120°C

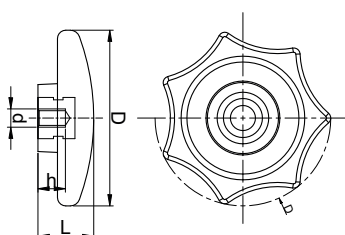
**BYC** BAKALITE KNOB BOLTED



Product Code	D	d	h	L	Pckg
<b>BYC 30 06 15</b>	30	M6	15	20	100
<b>BYC 30 06 25</b>	30	M6	25	20	100
<b>BYC 30 08 15</b>	30	M8	15	20	100
<b>BYC 40 06 20</b>	40	M6	20	25	100
<b>BYC 40 08 20</b>	40	M8	20	25	100
<b>BYC 40 10 20</b>	40	M10	20	25	100
<b>BYC 50 08 25</b>	50	M8	25	32	50
<b>BYC 50 10 25</b>	50	M10	25	32	50
<b>BYC 63 08 25</b>	63	M8	25	42	50
<b>BYC 63 10 30</b>	63	M10	30	42	50
<b>BYC 63 12 30</b>	63	M12	30	42	50

RAL 9005 Bright Black  
Zinc Plated Bushing / Iron Bolt  
Resistant to Oils, Greases and Solvents  
-30°C to +120°C

**BYB** BAKALITE KNOB BUSHED



Product Code	D	d	h	L	Pckg
<b>BYB 30 06 11</b>	30	M6	11	20	100
<b>BYB 30 08 15</b>	30	M8	15	20	100
<b>BYB 40 06 11</b>	40	M6	11	25	100
<b>BYB 40 08 15</b>	40	M8	15	25	100
<b>BYB 40 10 17</b>	40	M10	17	25	100
<b>BYB 50 08 15</b>	50	M8	15	32	50
<b>BYB 50 10 17</b>	50	M10	17	32	50
<b>BYB 63 08 15</b>	63	M8	15	42	50
<b>BYB 63 10 17</b>	63	M10	17	42	50
<b>BYB 63 12 22</b>	63	M12	22	42	50

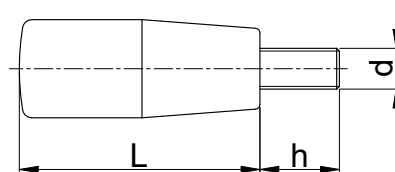
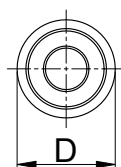
RAL 9005 Bright Black  
Zinc Plated Bushing / Iron Bolt  
Resistant to Oils, Greases and Solvents  
-30°C to +120°C

**BSC** BAKALITE HANDLE BOLTED



Product Code	D	d	h	L	Pckg
<b>BSC 18 06 15</b>	18	M6	15	40	50
<b>BSC 21 08 15</b>	21	M8	15	51	50
<b>BSC 21 10 15</b>	21	M10	15	51	50
<b>BSC 23 08 20</b>	23	M8	20	66	50
<b>BSC 23 10 20</b>	23	M10	20	66	50
<b>BSC 26 10 25</b>	26	M10	25	80	50
<b>BSC 26 12 25</b>	26	M12	25	80	50
<b>BSC 28 10 25</b>	28	M10	25	91	25
<b>BSC 28 12 25</b>	28	M12	25	91	25

RAL 9005 Bright Black  
Zinc Plated Bushing / Iron Bolt  
Resistant to Oils, Greases and Solvents  
-30°C to +120°C

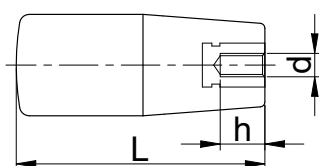
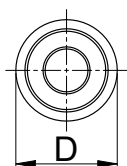


**BSB** BAKALITE HANDLE BUSHED



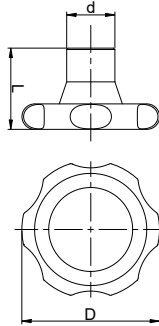
Product Code	D	d	h	L	Pckg
<b>BSB 18 06 11</b>	18	M6	11	40	50
<b>BSB 21 08 15</b>	21	M8	15	51	50
<b>BSB 21 10 17</b>	21	M10	17	51	50
<b>BSB 23 08 15</b>	23	M8	15	66	50
<b>BSB 23 10 17</b>	23	M10	17	66	50
<b>BSB 26 10 17</b>	26	M10	17	80	50
<b>BSB 26 12 22</b>	26	M12	22	80	50
<b>BSB 28 10 17</b>	28	M10	17	90	25
<b>BSB 28 12 22</b>	28	M12	22	90	25

RAL 9005 Bright Black  
Zinc Plated Bushing / Iron Bolt  
Resistant to Oils, Greases and Solvents  
-30°C to +120°C





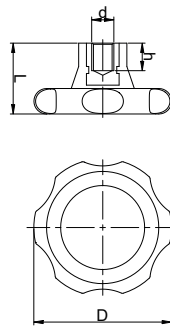
**BTV** BAKALITE HANDWHEEL



Product Code	D	d	L	Pckg
<b>BTV 45 20 11</b>	45	20	33	10
<b>BTV 65 25 22</b>	65	25	46	10
<b>BTV 80 30 25</b>	80	30	50	5
<b>BTV 10 35 25</b>	100	35	59	5

RAL 9005 Bright Black  
Zinc Plated Bushing / Iron Bolt  
Resistant to Oils, Greases and Solvents  
-30°C to +120°C

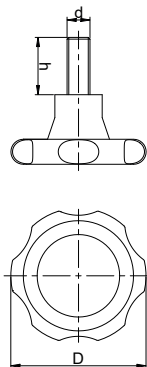
**BTVB** BAKALITE BUSHED HANDWHEEL



Product Code	D	d	h	L	Pckg
<b>BTVB 45 08 20</b>	45	M8	20	30	10
<b>BTVB 45 10 20</b>	45	M10	20	30	10
<b>BTVB 65 10 25</b>	65	M10	25	27	10
<b>BTVB 65 12 25</b>	65	M12	25	27	10
<b>BTVB 80 16 40</b>	80	M16	40	50	5
<b>BTVB 10 20 40</b>	100	M20	40	60	5

RAL 9005 Bright Black  
Zinc Plated Bushing / Iron Bolt  
Resistant to Oils, Greases and Solvents  
-30°C to +120°C

**BTVC** BAKALITE HANDWHEEL BOLTED



Product Code	D	d	h	Pckg
<b>BTVC 65 12 60</b>	65	M12	60	10
<b>BTVC 80 16 50</b>	80	M16	50	5
<b>BTVC 80 16 60</b>	80	M16	60	5

RAL 9005 Bright Black  
Zinc Plated Bushing / Iron Bolt  
Resistant to Oils, Greases and Solvents  
-30°C to +120°C

**BTVBb** BAKALITE HANDWHEEL BUSHED / Empty



Product Code	D	d	h	Pckg
<b>BTVBb 45 08 15</b>	45	8	15	10
<b>BTVBb 45 10 15</b>	45	10	15	10
<b>BTVBb 45 12 15</b>	45	12	15	10
<b>BTVBb 65 10 20</b>	65	10	20	10
<b>BTVBb 65 10 25</b>	65	10	25	10
<b>BTVBb 65 12 20</b>	65	12	20	10
<b>BTVBb 65 12 25</b>	65	12	25	10
<b>BTVBb 80 10 25</b>	80	10	25	5
<b>BTVBb 80 12 25</b>	80	12	25	5
<b>BTVBb 80 14 25</b>	80	14	25	5
<b>BTVBb 80 16 25</b>	80	16	25	5
<b>BTVBb 10 16 30</b>	10	16	30	5
<b>BTVBb 10 20 30</b>	10	20	30	5

RAL 9005 Bright Black  
Zinc Plated Bushing / Iron Bolt  
Resistant to Oils, Greases and Solvents  
-30°C to +120°C

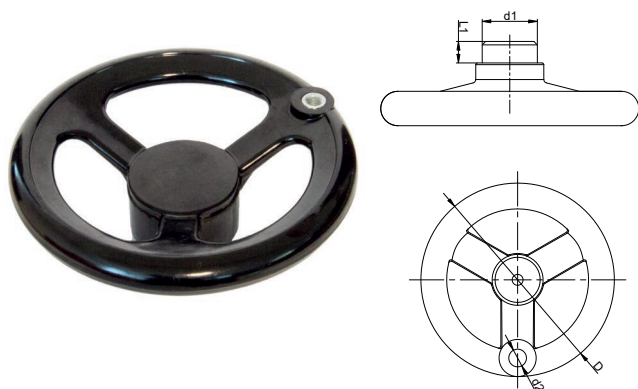
**BDV** BAKALITE HANDWHEEL



Product Code	D	d1	l1	d2	Pckg
<b>BDV 10 24 14</b>	100	24	14	M6	6
<b>BDV 12 32 15</b>	125	32	15	M8	4
<b>BDV 15 32 15</b>	150	32	15	M8	4
<b>BDV 17 40 15</b>	175	40	15	M10	2
<b>BDV 20 40 15</b>	200	40	15	M12	2

RAL 9005 Bright Black  
Zinc Plated Bushing / Iron Bolt  
Resistant to Oils, Greases and Solvents  
-30°C to +120°C

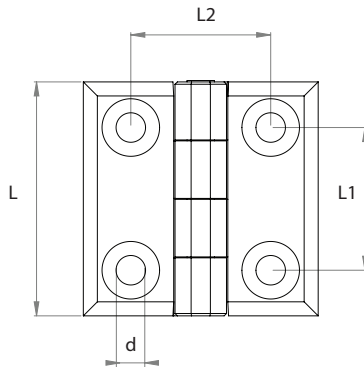
**BKV** BAKALITE HANDWHEEL



Product Code	D	d1	l1	d2	Pckg
<b>BKV 10 30 12</b>	100	30	12	M6	6
<b>BKV 12 40 12</b>	125	40	12	M6	4
<b>BKV 15 50 15</b>	150	50	15	M8	4
<b>BKV 17 50 18</b>	175	50	18	M10	2
<b>BKV 20 50 18</b>	200	50	18	M12	2

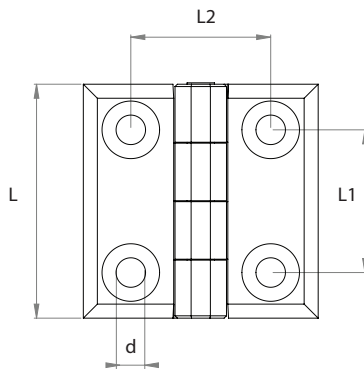
RAL 9005 Bright Black  
Zinc Plated Bushing / Iron Bolt  
Resistant to Oils, Greases and Solvents  
-30°C to +120°C

**IM** INOX HINGE



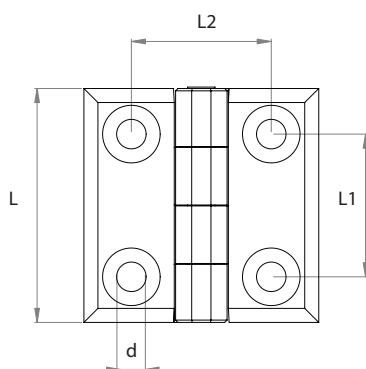
Product Code	L1xL2	d	Pckg
<b>IM 40X40</b>	25x25	5,5x4	10
<b>IM 50X50</b>	30x30	6,6x4	10
<b>IM 50X63</b>	30x43	6,6x4	10
<b>IM 50X76</b>	30x56	6,6x4	10
<b>IM 60X60</b>	36x36	6,6	10
<b>IM 60X98</b>	36x73	6,6x4	10

**SIM** STEEL SHEET HINGE INOX



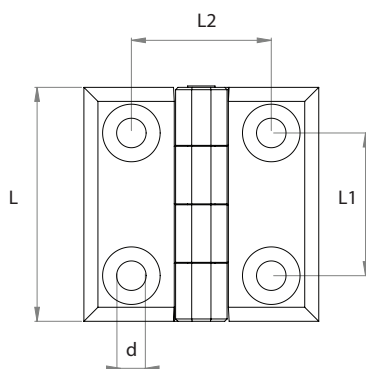
Product Code	L1xL2	d	Pckg
<b>SIM 50X50 4 delikli</b>	30x30	6	10
<b>SIM 50X75 5 delikli</b>	30x55	6	10
<b>SIM 50X100 6 delikli</b>	30x80	6	10

**PM** PLASTIC HINGE



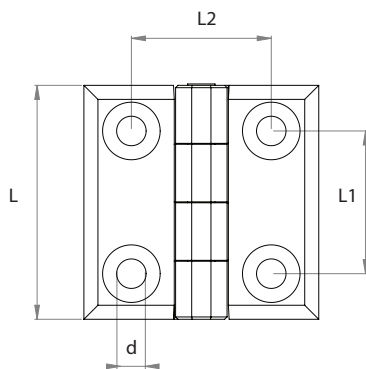
Product Code	L1xL2	d	Pckg
<b>PM 40X40</b>	25x25	5,5	50
<b>PM 48X48</b>	30x30	5,5	50
<b>PM 50X50</b>	30x30	6,5	50
<b>PM 75X65</b>	72x45	6,5	50
<b>PM 100X80</b>	72x45	8,5	50

**ZMb** PLASTIC HINGE PAINTED



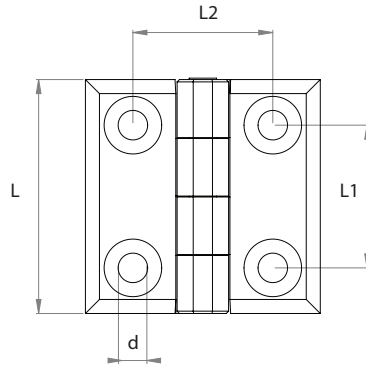
Product Code	L1xL2	d	Pckg
<b>ZMb 40X40</b>	25x25	5,5	50
<b>ZMb 50X50</b>	30x30	6,5	50
<b>ZMb 50X63</b>	30x43	6,5	50
<b>ZMb 50X76</b>	30x56	6,5	50
<b>ZMb 60X60</b>	36x36	8	50

**ZMk** ZAMAK HINGE CHROMED



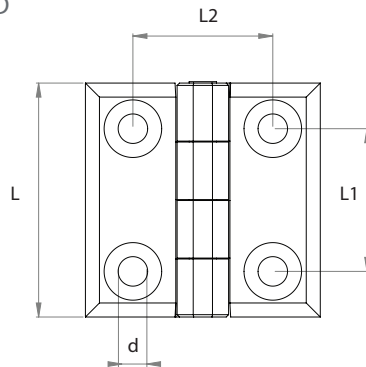
Product Code	L1xL2	d	Pckg
<b>ZMk 40X40</b>	25x25	5,5	50
<b>ZMk 50X50</b>	30x30	6,5	50
<b>ZMk 50X63</b>	30x43	6,5	50
<b>ZMk 50X76</b>	30x56	6,5	50
<b>ZMk 60X60</b>	36x36	8	50

**ZMck** ZAMAK HINGE BOLTED and CHROMED



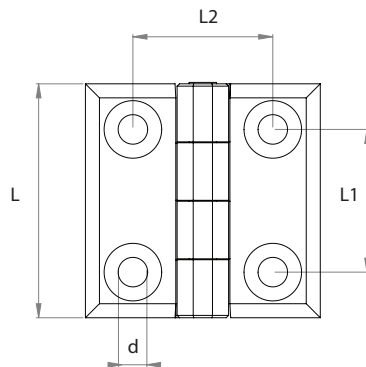
Product Code	L1xL2	d	Pckg
ZMck 40X40	25x25	M5x9	25
ZMck 50X50	30x30	M6x12	25
ZMck 50X63	30x43	M6x12	25
ZMck 50X76	30x56	M6x12	25
ZMck 60X60	36x36	M8x14	25

**PMC** PLASTIC HINGE BOLTED



Product Code	L1xL2	d	Pckg
PMC 40X40	25x25	M5x9	50
PMC 48X48	30x30	M5x12	50
PMC 50X50	30x30	M6x11	50

**ZMCb** ZAMAK HINGE BOLTED and PAINTED



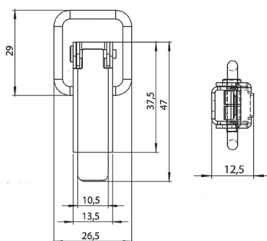
Product Code	L1xL2	d	Pckg
ZMCb 40X40	25x25	M5x9	25
ZMCb 50X50	30x30	M6x12	20
ZMCb 50X63	30x43	M6x12	25
ZMCb 50X76	30x56	M6x12	25
ZMCb 60x60	36x36	M8x14	12

**SMb** STEEL SHEET HINGE PAINTED



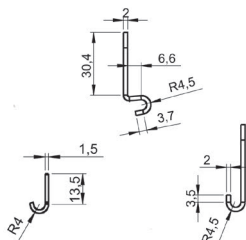
Product Code	L1xL2	d	Pckg
SMb 60X76 4 Holes	36x50	8,30	25
SMb 60X106 5 Holes	36x80	8,30	25
SMb 60X136 6 Holes	36x110	8,30	25

**MI** LATCH INOKS



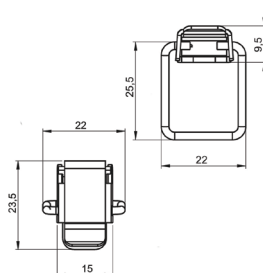
Product Code	L1	L2	Pckg
MI 1 small	23,5	22	10
MI 2 blg	47	26,5	10

**DI** LATCH DILI INOKS



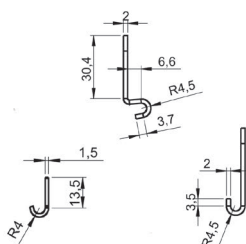
Product Code	L1	R	Pckg
DI-K	13,5	4	10
DI-B	32,45	4,5	10
DI-L	30,4	4,5	10

**M** LATCH



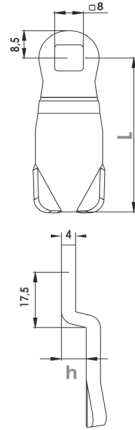
Product Code	L1	L2	Pckg
M 1 small	23,5	22	10
M 2 blg	47	26,5	10

**D** LATCH



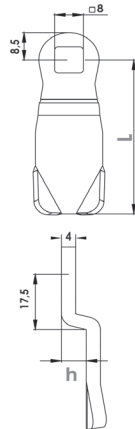
Product Code	L1	R	Pckg
D-K	13,5	4	10
D-B	32,45	4,5	10
D-L	30,4	4,5	10

**YPKk** QUARTER TURN SPRING - WING



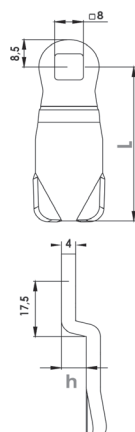
Product Code	h	L	Pckg
YPKk 1.0.50	0	50	50
YPKk 1.5.48	5	48	50
YPKk 1.7.48	7	48	50

**YPKb** QUARTER TURN SPRING - PAINTED



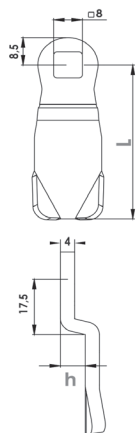
Product Code	h	L	Pckg
YPKb 1.0.50	0	50	50
YPKb 1.5.48	5	48	50
YPKb 1.7.48	7	48	50

**YPKp** QUARTER TURN SPRING - PLASTIC



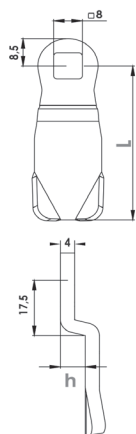
Product Code	h	L	Pckg
YPKp 1.0.50	0	50	50
YPKp 1.5.48	5	48	50
YPKp 1.7.48	7	48	50

**YPK2** QUARTER TURN SPRING DB



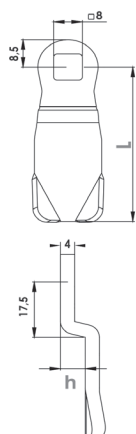
Product Code	h	L	Pckg
YPK 2.0.50	0	50	50
YPK 2.5.48	5	48	50
YPK 2.7.48	7	48	50

**YPK3** QUARTER TURN SPRING TRIANGLE



Product Code	h	L	Pckg
YPK 3.0.50	0	50	50
YPK 3.5.48	5	48	50
YPK 3.7.48	7	48	50

**YPK4** QUARTER TURN SPRING SQUARE



Product Code	h	L	Pckg
YPK 4.0.50	0	50	50
YPK 4.5.48	5	48	50
YPK 4.7.48	7	48	50

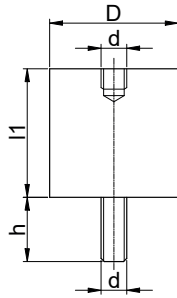
METAL KEY



Product Code	Pckg
A 2.5mm DB	50
A 3.9mm TRIANGLE	50
A 4.8mm SQUARE	50



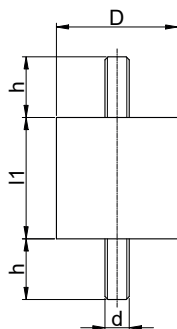
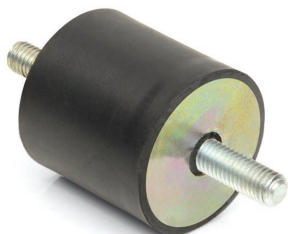
**TCBp** ANTI-VIBRATION RUBBER MOUND / Bushed



Material Natural Rubber  
 Metal Zinc Coated  
 Hardness 70 ±5 Shore  
 Temperature Resistant -20°C/+ 80°C

Product Code	D	l1	d	h	Pckg
TCBp 1520	15	20	M 4	10	25
TCBp 2015	20	15	M 6	15	25
TCBp 2020	20	20	M 6	15	25
TCBp 2515	25	15	M 6	18	25
TCBp 2520	25	20	M 6	18	25
TCBp 2525	25	25	M 6	18	25
TCBp 3015	30	15	M 8	20	25
TCBp 3020	30	20	M 8	20	25
TCBp 3025	30	25	M 8	20	25
TCBp 3030	30	30	M 8	20	25
TCBp 3040	30	40	M 8	20	25
TCBp 4020	40	20	M 8	20	25
TCBp 4025	40	25	M 8	20	25
TCBp 4030	40	30	M 8	20	25
TCBp 4040	40	40	M 8	20	25
TCBp 4535	45	35	M 8	28	25
TCBp 5020	50	20	M 10	28	25
TCBp 5025	50	25	M 10	28	25
TCBp 5030	50	30	M 10	28	25
TCBp 5035	50	35	M 10	28	25
TCBp 5040	50	40	M 10	28	25
TCBp 5045	50	45	M 10	28	25
TCBp 5050	50	50	M 10	28	25
TCBp 6030	60	30	M 12	32	25
TCBp 6035	60	35	M 12	32	25
TCBp 6040	60	40	M 12	32	25
TCBp 7035	70	35	M 12	37	25
TCBp 7040	70	40	M 12	37	25
TCBp 7045	70	45	M 12	37	25
TCBp 7545	75	45	M 12	37	25
TCBp 7550	75	50	M 12	37	25
TCBp 7555	75	55	M 12	37	25
TCBp 7570	75	70	M 12	37	25
TCBp 10050	100	50	M 16	42	25
TCBp 10055	100	55	M 16	42	25
TCBp 10060	100	60	M 16	42	25
TCBp 10075	100	75	M 16	42	25
TCBp 12540	125	40	M 16	42	25
TCBp 15050	150	50	M 20	42	25

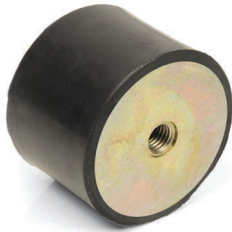
**TCCp** ANTI-VIBRATION RUBBER MOUND / Double Bolted



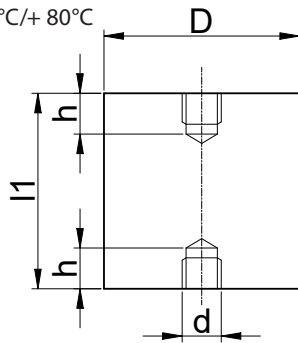
Material Natural Rubber  
 Metal Zinc Coated  
 Hardness 70 ±5 Shore  
 Temperature Resistant -20°C/+ 80°C

Product Code	D	I1	d	h	Pkg
TCCp 1515	15	15	M 4	10	25
TCCp 1520	15	20	M 4	10	25
TCCp 2015	20	15	M 6	15	25
TCCp 2020	20	20	M 6	15	25
TCCp 2025	20	25	M 6	15	25
TCCp 2030	20	30	M 6	15	25
TCCp 2510	25	10	M 6	18	25
TCCp 2515	25	15	M 6	18	25
TCCp 2520	25	20	M 6	18	25
TCCp 2530	25	30	M 6	18	25
TCCp 3015	30	15	M 8	20	25
TCCp 3020	30	20	M 8	20	25
TCCp 3025	30	25	M 8	20	25
TCCp 3030	30	30	M 8	20	25
TCCp 3040	30	40	M 8	20	25
TCCp 3535	35	35	M 8	20	25
TCCp 4020	40	20	M 8	20	25
TCCp 4025	40	25	M 8	20	25
TCCp 4030	40	30	M 8	20	25
TCCp 4040	40	40	M 8	20	25
TCCp 4525	45	25	M 8	20	25
TCCp 5020	50	20	M 10	28	25
TCCp 5025	50	25	M 10	28	25
TCCp 5030	50	30	M 10	28	25
TCCp 5035	50	35	M 10	28	25
TCCp 5040	50	40	M 10	28	25
TCCp 5045	50	45	M 10	28	25
TCCp 5050	50	50	M 10	28	25
TCCp 6030	60	30	M 12	32	25
TCCp 6035	60	35	M 12	32	25
TCCp 6040	60	40	M 12	32	25
TCCp 7035	70	35	M 12	37	25
TCCp 7040	70	40	M 12	37	25
TCCp 7045	70	45	M 12	37	25
TCCp 7525	75	25	M 12	37	25
TCCp 7530	75	30	M 12	37	25
TCCp 7540	75	40	M 12	37	25
TCCp 7550	75	50	M 12	37	25
TCCp 7555	75	55	M 12	37	25
TCCp 7570	75	70	M 12	37	25
TCCp 10040	100	40	M 16	42	25
TCCp 10050	100	50	M 16	42	25
TCCp 10055	100	55	M 16	42	25
TCCp 10060	100	60	M 16	42	25
TCCp 10075	100	75	M 16	42	25
TCCp 12540	125	40	M 16	42	25
TCCp 15050	150	50	M 20	42	25

**TBBP** ANTI-VIBRATION RUBBER MOUND / Double Bushed



Material Natural Rubber  
 Metal Zinc Coated  
 Hardness 70 ±5 Shore  
 Temperature Resistant -20°C/+ 80°C

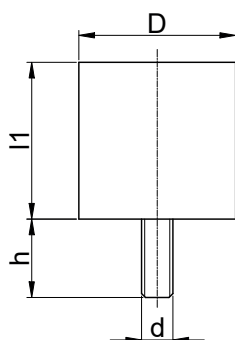


Product Code	D	l1	d	h	Pckg
TBBp 2020	20	20	M 6	6	25
TBBp 2030	20	30	M 6	6	25
TBBp 2525	25	25	M 6	6	25
TBBp 3020	30	20	M 8	8	25
TBBp 3025	30	25	M 8	8	25
TBBp 3030	30	30	M 8	8	25
TBBp 3040	30	40	M 8	8	25
TBBp 3535	35	35	M 8	8	25
TBBp 4020	40	20	M 8	8	25
TBBp 4025	40	25	M 8	8	25
TBBp 4030	40	30	M 8	8	25
TBBp 4040	40	40	M 8	8	25
TBBp 4525	45	25	M 8	8	25
TBBp 4535	45	35	M 8	10	25
TBBp 5025	50	25	M 10	10	25
TBBp 5030	50	30	M 10	10	25
TBBp 5035	50	35	M 10	10	25
TBBp 5040	50	40	M 10	10	25
TBBp 5045	50	45	M 10	10	25
TBBp 5050	50	50	M 10	10	25
TBBp 6030	60	30	M 12	12	25
TBBp 6035	60	35	M 12	12	25
TBBp 6040	60	40	M 12	12	25
TBBp 7045	70	45	M 12	12	25
TBBp 7555	75	55	M 12	12	25
TBBp 10050	100	50	M16	16	25
TBBp 10055	100	55	M16	16	25
TBBp 10060	100	60	M16	16	25
TBBp 10075	100	75	M16	16	25

**TCp** ANTI-VIBRATION RUBBER MOUND / Bolted

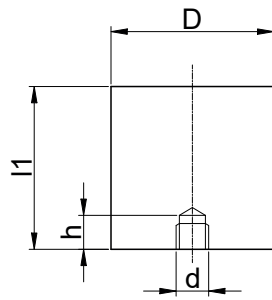
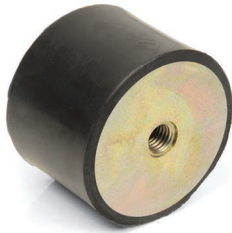


Material Natural Rubber  
 Metal Zinc Coated  
 Hardness 70 ±5 Shore  
 Temperature Resistant -20°C/+ 80°C



Product Code	D	l1	d	h	Pckg
TCp 1508	15	8	M 4	10	25
TCp 1515	15	15	M 4	10	25
TCp 1520	15	20	M 4	10	25
TCp 2010	20	10	M 6	15	25
TCp 2015	20	15	M 6	15	25
TCp 2020	20	20	M 6	15	25
TCp 2025	20	25	M 6	15	25
TCp 2030	20	30	M 6	15	25
TCp 2510	25	10	M 6	18	25
TCp 2515	25	15	M 6	18	25
TCp 2520	25	20	M 6	18	25
TCp 2525	25	25	M 6	18	25
TCp 3015	30	15	M 8	20	25
TCp 3020	30	20	M 8	20	25
TCp 3025	30	25	M 8	20	25
TCp 3030	30	30	M 8	20	25
TCp 3040	30	40	M 8	20	25
TCp 3535	35	35	M 8	20	25
TCp 4020	40	20	M 8	20	25
TCp 4025	40	25	M 8	20	25
TCp 4030	40	30	M 8	20	25
TCp 4040	40	40	M 8	20	25
TCp 4525	45	25	M 8	28	25
TCp 4535	45	35	M 8	28	25
TCp 5020	50	20	M 10	28	25
TCp 5025	50	25	M 10	28	25
TCp 5030	50	30	M 10	28	25
TCp 5035	50	35	M 10	28	25
TCp 5040	50	40	M 10	28	25
TCp 5045	50	45	M 10	28	25
TCp 5050	50	50	M 10	28	25
TCp 6030	60	30	M 12	32	25
TCp 6035	60	35	M 12	32	25
TCp 6040	60	40	M 12	32	25
TCp 7035	70	35	M 12	37	25
TCp 7040	70	40	M 12	37	25
TCp 7045	70	45	M 12	37	25
TCp 7525	75	25	M 12	37	25
TCp 7540	75	40	M 12	37	25
TCp 7550	75	50	M 12	37	25
TCp 7555	75	55	M 12	37	25
TCp 7570	75	70	M 12	37	25
TCp 10040	100	40	M 16	42	25
TCp 10050	100	50	M 16	42	25
TCp 10055	100	55	M 16	42	25
TCp 10060	100	60	M 16	42	25
TCp 10075	100	75	M 16	42	25
TCp 15050	150	50	M 20	42	25

**TBp** ANTI-VIBRATION RUBBER MOUND / Bushed



Material Natural Rubber  
 Metal Zinc Coated  
 Hardness 70 ±5 Shore  
 Temperature Resistant -20°C/+ 80°C

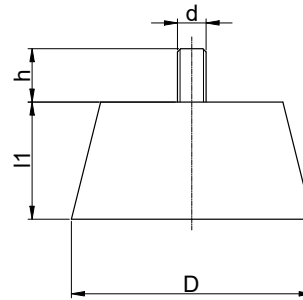
Product Code	D	l1	d	h	Pckg
<b>TBp 1520</b>	15	20	M 4	4	25
<b>TBp 2020</b>	20	20	M 6	6	25
<b>TBp 2030</b>	20	30	M 6	6	25
<b>TBp 2525</b>	25	25	M 6	6	25
<b>TBp 3020</b>	30	20	M 8	8	25
<b>TBp 3030</b>	30	30	M 8	8	25
<b>TBp 4030</b>	40	30	M 8	8	25
<b>TBp 4040</b>	40	40	M 8	8	25
<b>TBp 5020</b>	50	20	M 10	10	25
<b>TBp 5030</b>	50	30	M 10	10	25
<b>TBp 5035</b>	50	35	M 10	10	25
<b>TBp 5040</b>	50	40	M 10	10	25
<b>TBp 5050</b>	50	50	M 10	10	25
<b>TBp 6025</b>	60	25	M 12	12	25
<b>TBp 6030</b>	60	30	M 12	12	25
<b>TBp 6040</b>	60	40	M 12	12	25
<b>TBp 7045</b>	70	45	M 12	12	25
<b>TBp 10050</b>	100	50	M 16	16	25

**TKCp** ANNULAR RUBBER MOUND / Bushed

Product Code	D	l1	d	h	Pckg
<b>TKCp 110</b>	110	50	12	27	10
<b>TKCp 160</b>	160	75	12	28	10



Material Natural Rubber  
 Metal Zinc Coated  
 Hardness 70 ±5 Shore  
 Temperature Resistant -20°C/+ 80°C

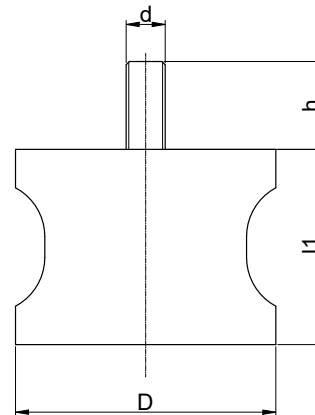


**TMCp** ROLLER RUBBER MOUND / Bushed

Product Code	D	l1	d	h	Pckg
<b>TMCp 80</b>	80	60	8	27	25



Material Natural Rubber  
 Metal Zinc Coated  
 Hardness 70 ±5 Shore  
 Temperature Resistant -20°C/+ 80°C



**TCCd** ANTI VIBRATION RUBBER MOUND

Product Code	L	L1	H	h	d	Pckg
TCCd 150	150	103	12	78	M16	1



Material Natural Rubber  
 Metal Zinc Coated  
 Hardness 70 ±5 Shore  
 Temperature Resistant -20°C/+ 80°C

